



**OUTDOOR**  
ESSENTIALS®

# HOMESTEAD 3X3 AND 3X6 CEDAR RAISED GARDEN BED KITS ASSEMBLY INSTRUCTIONS

## 3x3 Kit

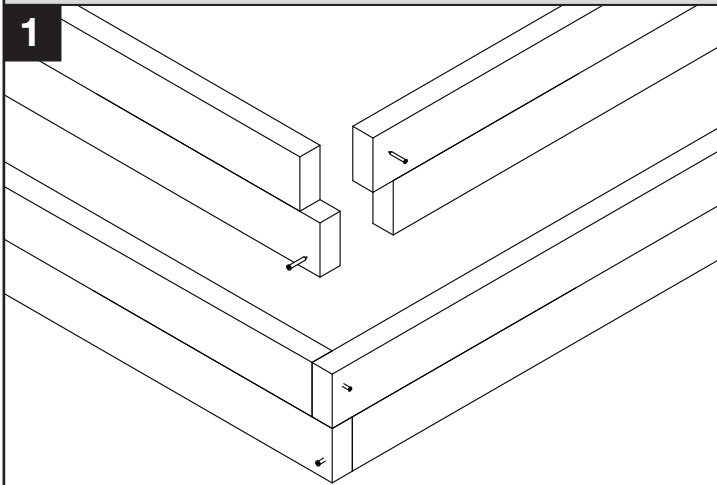
### Parts included

- (4) Preassembled side assemblies
- (12) T-25 screws\*

\*8 screws are needed to assemble the raised bed. You will end up with 4 extra screws.

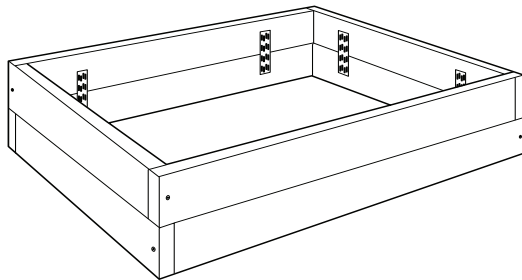
### Tools required

Cordless drill with Star bit



Place two sides together to make a corner (metal plates facing inward).  
Drive screws through the corner as shown to attach sides.

**2**



Repeat with remaining sides to complete the bed.

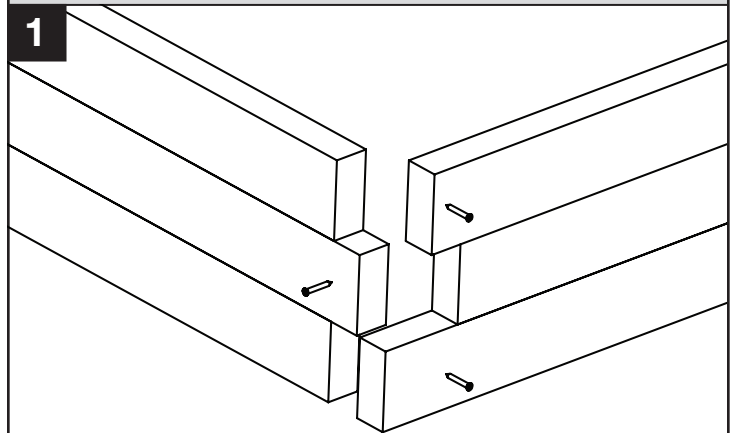
## 3x6 Kit

### Parts included

- (2) Preassembled 72" side assemblies
- (2) Preassembled 36" side assemblies
- (12) T-25 screws

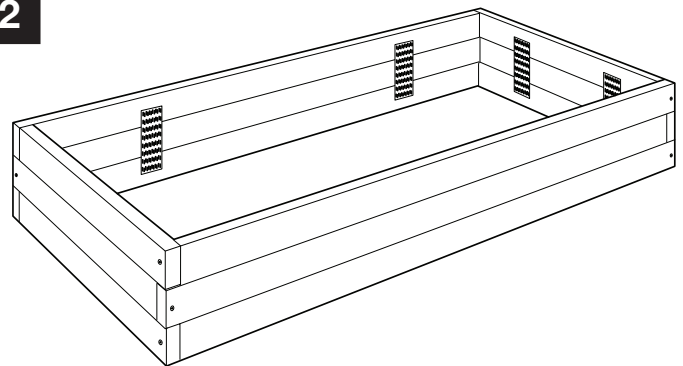
### Tools required

Cordless drill with Star bit



Place two sides together to make a corner (metal plates facing inward).  
Drive screws through the corner as shown to attach sides.

**2**



Repeat with remaining sides to complete the bed.

THE DIAGRAMS AND INSTRUCTIONS IN THIS BROCHURE ARE FOR ILLUSTRATION PURPOSES ONLY AND ARE NOT MEANT TO REPLACE A LICENSED PROFESSIONAL. ANY CONSTRUCTION OR USE OF THE PRODUCT MUST BE IN ACCORDANCE WITH ALL LOCAL ZONING AND/OR BUILDING CODES. THE CONSUMER ASSUMES ALL RISKS AND LIABILITY ASSOCIATED WITH THE CONSTRUCTION OR USE OF THIS PRODUCT. THE CONSUMER OR CONTRACTOR SHOULD TAKE ALL NECESSARY STEPS TO ENSURE THE SAFETY OF EVERYONE INVOLVED IN THE PROJECT, INCLUDING, BUT NOT LIMITED TO, WEARING THE APPROPRIATE SAFETY EQUIPMENT. EXCEPT AS CONTAINED IN THE WRITTEN LIMITED WARRANTY, THE WARRANTOR DOES NOT PROVIDE ANY OTHER WARRANTY, EITHER EXPRESS OR IMPLIED, AND SHALL NOT BE LIABLE FOR ANY DAMAGES, INCLUDING CONSEQUENTIAL DAMAGES.