

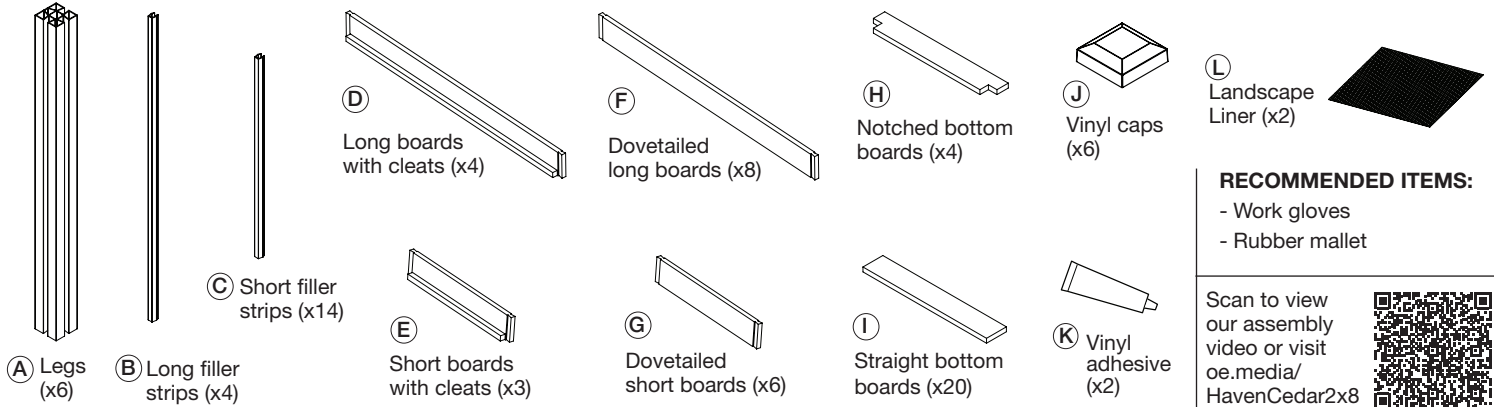


**OUTDOOR
ESSENTIALS®**

HAVEN 2X8 CEDAR ELEVATED GARDEN PLANTER ASSEMBLY INSTRUCTIONS

ACTUAL SIZE: 88-1/2 in. L x 24 in. W x 31-3/4 in. H

Parts List



RECOMMENDED ITEMS:

- Work gloves
- Rubber mallet

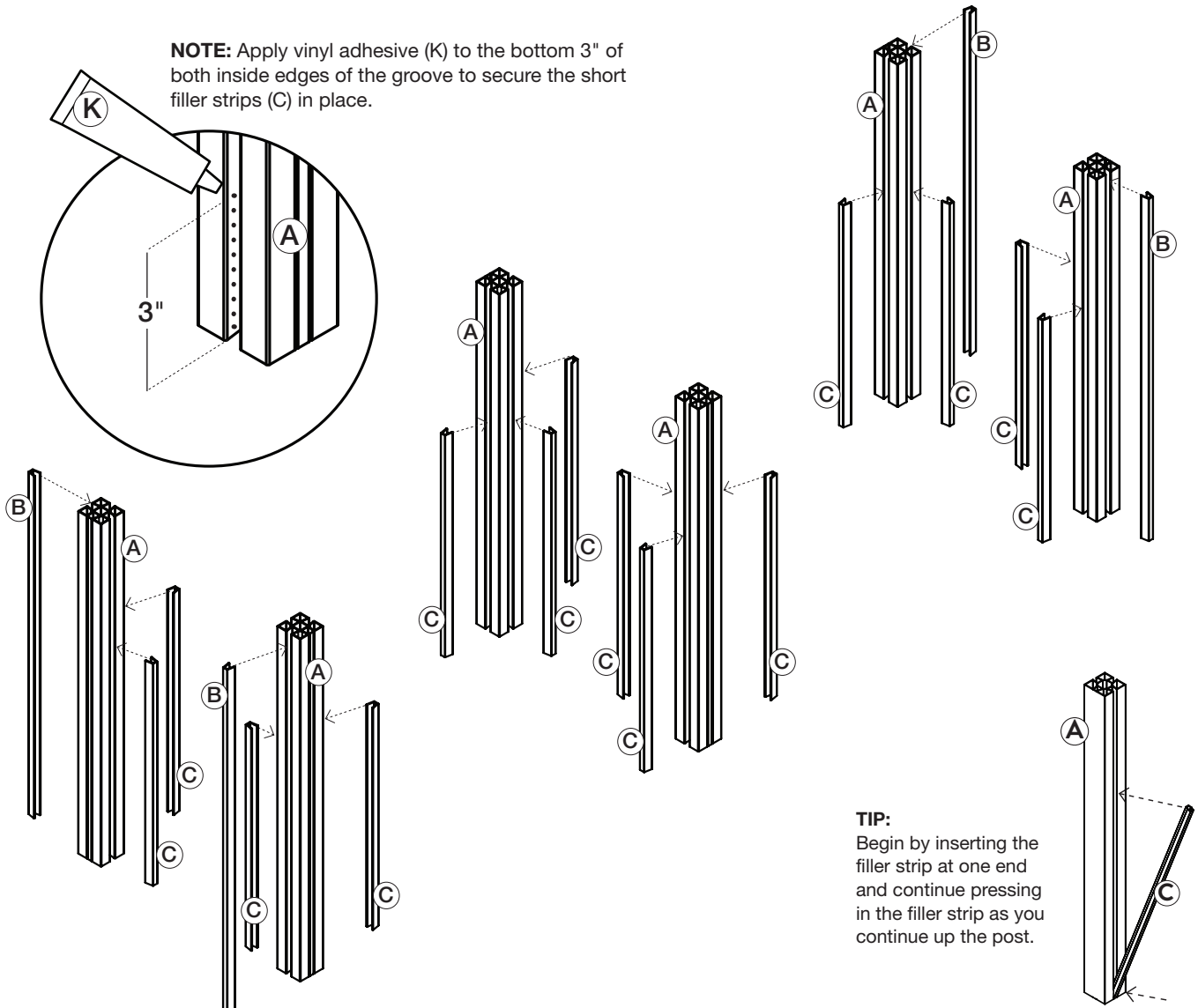
Scan to view our assembly video or visit oe.media/HavenCedar2x8



ASSEMBLY - Read through all steps before beginning assembly.

- 1** Snap filler strips into the 6 legs. Long filler strips (B) should be placed next to the solid side of the 4 corner legs. Short fillers strips (C) should all face each other.

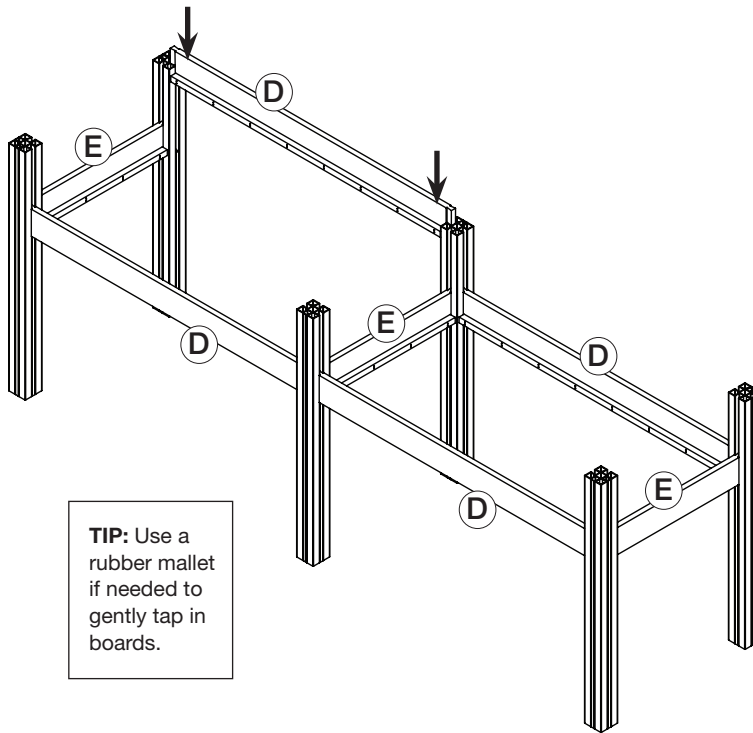
NOTE: Apply vinyl adhesive (K) to the bottom 3" of both inside edges of the groove to secure the short filler strips (C) in place.



HAVEN 2X8 CEDAR ELEVATED GARDEN PLANTER

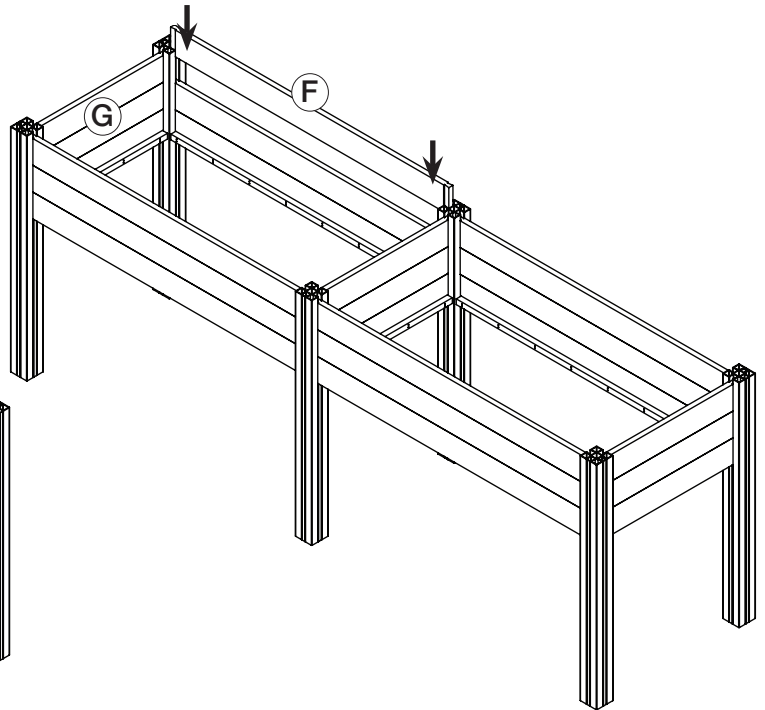
ASSEMBLY INSTRUCTIONS *continued*

2 Slide dovetailed boards with cleats into legs as shown.



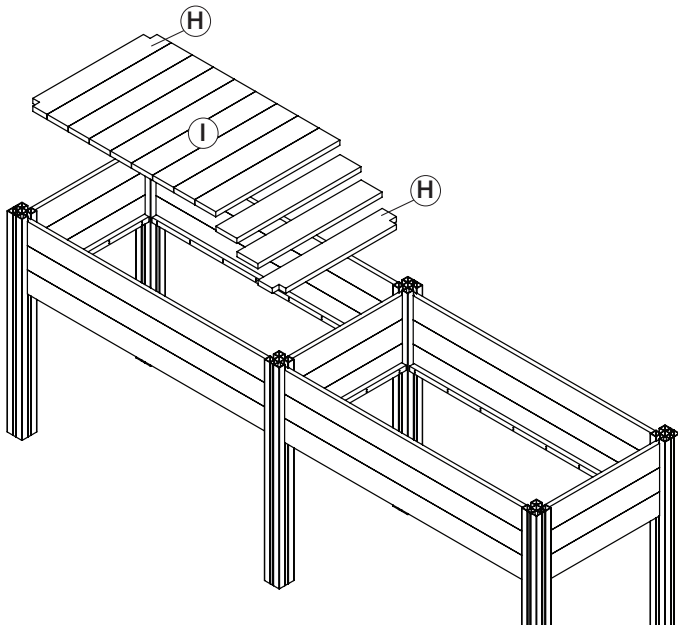
TIP: Use a rubber mallet if needed to gently tap in boards.

3 Slide dovetailed boards without cleats into legs to complete the sides.

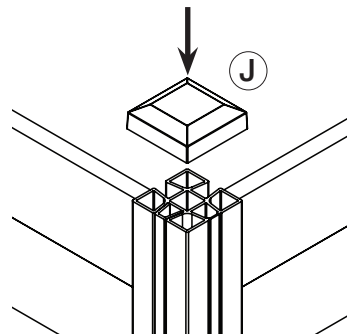


4 Place bottom boards onto cleats as shown.

Note: Boards will have small gaps in between them to allow for drainage.



5 Push vinyl caps (J) onto legs.



TIPS:

- Place planter on level surface.
- Lay down landscape fabric (L) prior to filling with soil.
- When adding soil, place it evenly across the bed.

- You'll need approximately 11 cubic feet of soil (5-1/2 per side) to fill the planter.
- It is recommended to wait 24 hours to allow the adhesive to fully dry before adding soil.

THE DIAGRAMS AND INSTRUCTIONS IN THIS BROCHURE ARE FOR ILLUSTRATION PURPOSES ONLY AND ARE NOT MEANT TO REPLACE A LICENSED PROFESSIONAL. ANY CONSTRUCTION OR USE OF THE PRODUCT MUST BE IN ACCORDANCE WITH ALL LOCAL ZONING AND/OR BUILDING CODES. THE CONSUMER ASSUMES ALL RISKS AND LIABILITY ASSOCIATED WITH THE CONSTRUCTION OR USE OF THIS PRODUCT. THE CONSUMER OR CONTRACTOR SHOULD TAKE ALL NECESSARY STEPS TO ENSURE THE SAFETY OF EVERYONE INVOLVED IN THE PROJECT, INCLUDING, BUT NOT LIMITED TO, WEARING THE APPROPRIATE SAFETY EQUIPMENT. EXCEPT AS CONTAINED IN THE WRITTEN LIMITED WARRANTY, THE WARRANTOR DOES NOT PROVIDE ANY OTHER WARRANTY, EITHER EXPRESS OR IMPLIED, AND SHALL NOT BE LIABLE FOR ANY DAMAGES, INCLUDING CONSEQUENTIAL DAMAGES.

©2023 Universal Forest Products, Inc. Outdoor Essentials is a registered trademark of Universal Forest Products.
All rights reserved. 2801 East Beltline NE, Grand Rapids, MI 49525 14792_3/23

OutdoorEssentialProducts.com