



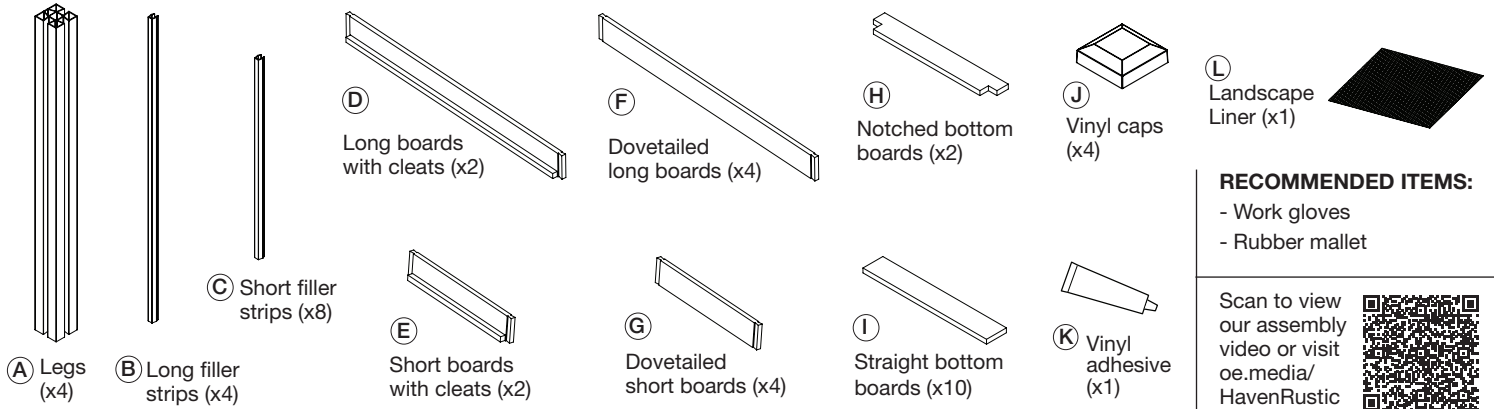
OUTDOOR
ESSENTIALS®

HAVEN 2X4 RUSTIC ELEVATED GARDEN PLANTER

ASSEMBLY INSTRUCTIONS

ACTUAL SIZE: 45-1/2 in. L x 24 in. W x 31-3/4 in. H

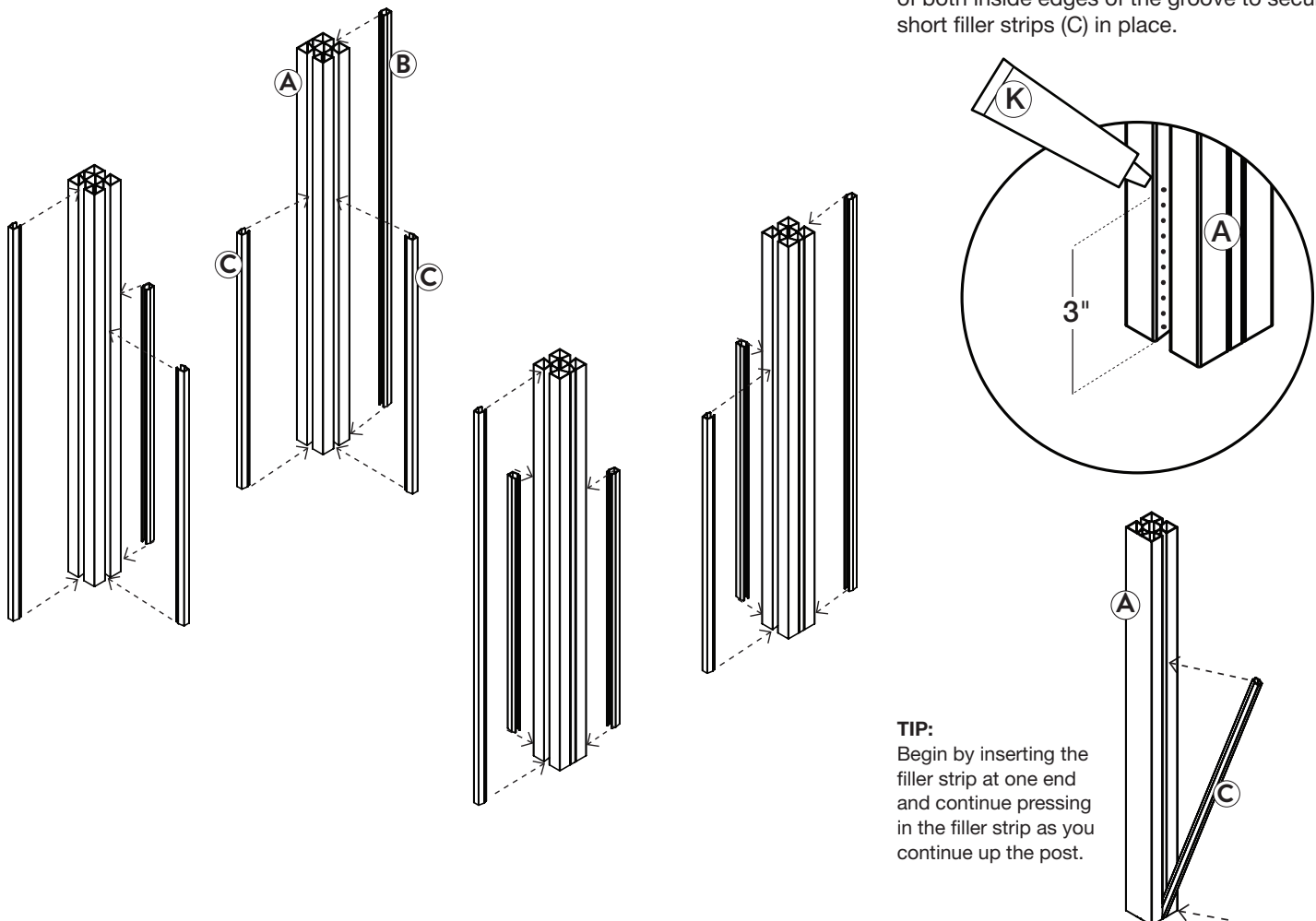
Parts List



ASSEMBLY - Read through all steps before beginning assembly.

1 Snap filler strips (B/C) into legs. Short filler strips (C) should face each other.

NOTE: Apply vinyl adhesive (K) to the bottom 3" of both inside edges of the groove to secure the short filler strips (C) in place.

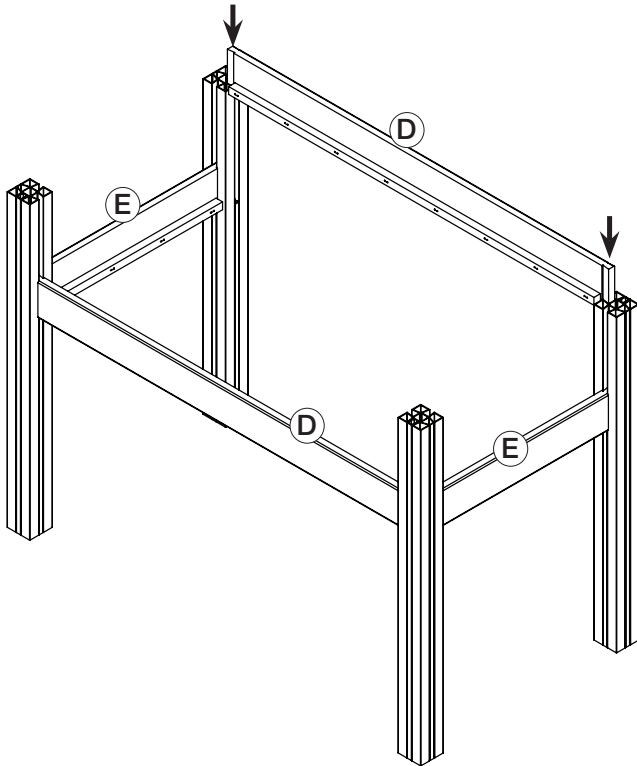


TIP:
Begin by inserting the filler strip at one end and continue pressing in the filler strip as you continue up the post.

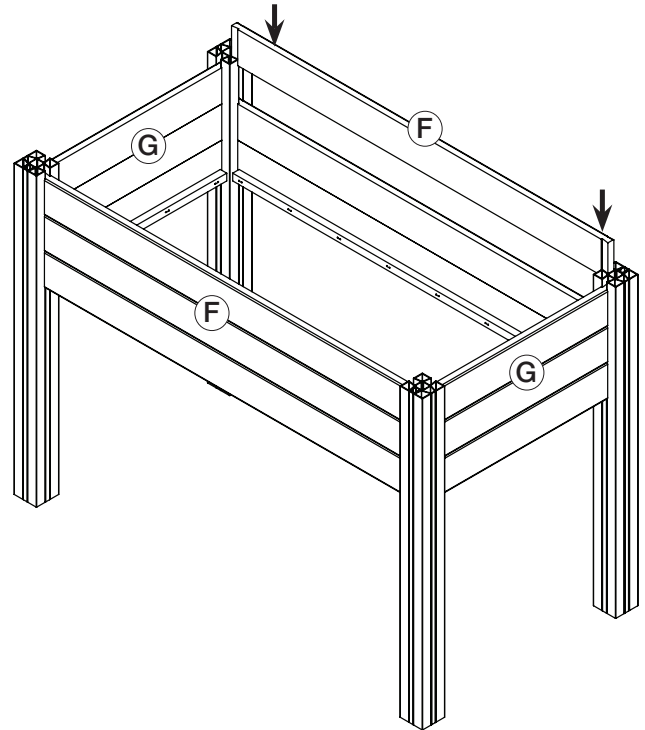


Assembly (continued)

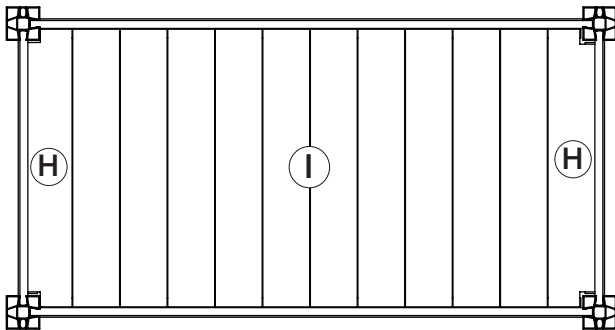
2 Slide boards with cleats (D/E) into the legs as shown.



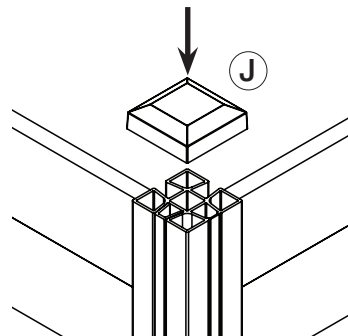
3 Slide dovetailed boards (F/G) into legs as shown.



4 Place bottom boards (H/I) on cleats as shown.
Note: Boards will have small gaps in between them to allow for drainage.



5 Push vinyl caps (J) onto legs.



TIPS:

- Place planter on level surface.
- Lay down landscape fabric (L) prior to filling with soil.
- When adding soil, place it evenly across the bed.
- If planting consumables, an impermeable liner (not included) is required. Punch holes in bottom for draining.

- You'll need approximately 5-1/2 cubic feet of soil to fill the planter.
- It is recommended to wait 24 hours to allow the adhesive to fully dry before adding soil.

THE DIAGRAMS AND INSTRUCTIONS IN THIS BROCHURE ARE FOR ILLUSTRATION PURPOSES ONLY AND ARE NOT MEANT TO REPLACE A LICENSED PROFESSIONAL. ANY CONSTRUCTION OR USE OF THE PRODUCT MUST BE IN ACCORDANCE WITH ALL LOCAL ZONING AND/OR BUILDING CODES. THE CONSUMER ASSUMES ALL RISKS AND LIABILITY ASSOCIATED WITH THE CONSTRUCTION OR USE OF THIS PRODUCT. THE CONSUMER OR CONTRACTOR SHOULD TAKE ALL NECESSARY STEPS TO ENSURE THE SAFETY OF EVERYONE INVOLVED IN THE PROJECT, INCLUDING, BUT NOT LIMITED TO, WEARING THE APPROPRIATE SAFETY EQUIPMENT. EXCEPT AS CONTAINED IN THE WRITTEN LIMITED WARRANTY, THE WARRANTOR DOES NOT PROVIDE ANY OTHER WARRANTY, EITHER EXPRESS OR IMPLIED, AND SHALL NOT BE LIABLE FOR ANY DAMAGES, INCLUDING CONSEQUENTIAL DAMAGES.