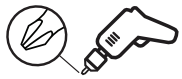




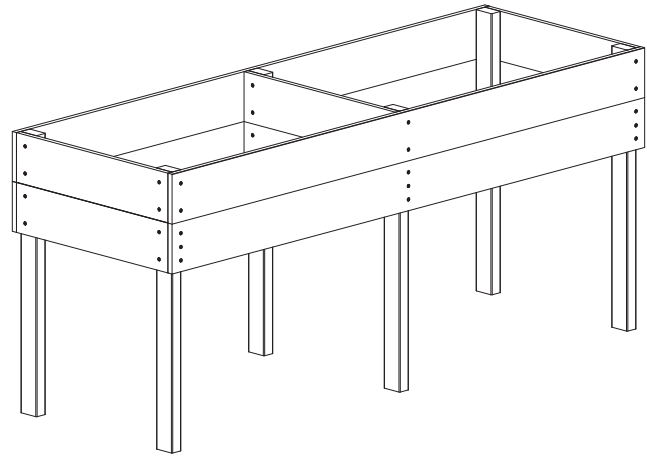
Kit Contents

- A** 6 – Legs
- B** 3 – Short boards (no cleat)
- C** 2 – Long boards (no cleat)
- D** 2 – Long boards with cleat
- E** 3 – Short end boards with cleat
- F** 3 – Notched floor boards
- G** 24 – Straight floor boards
- H** 54 – Screws

Tools Needed



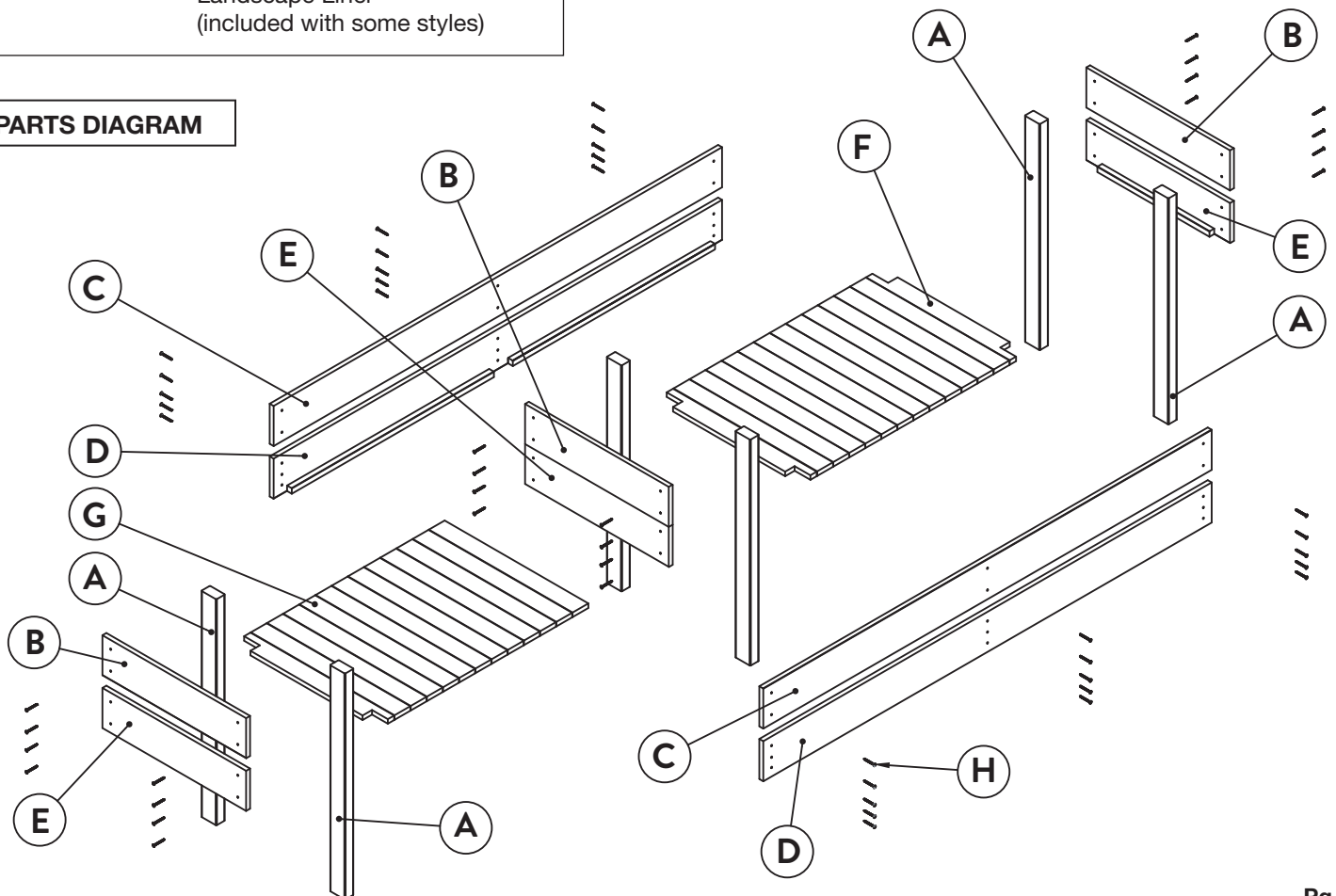
- Power drill with #2 Phillips bit (recommended) or a screwdriver
- Work gloves
- Landscape Liner (included with some styles)



IMPORTANT TIPS

- Maximum soil load – 1040 lbs
- Place planter on level, even ground.
- Do not overdrive screws. Avoid driving screws through or into knots.
- Place soil evenly across the bed - don't dump a whole bag in at once.

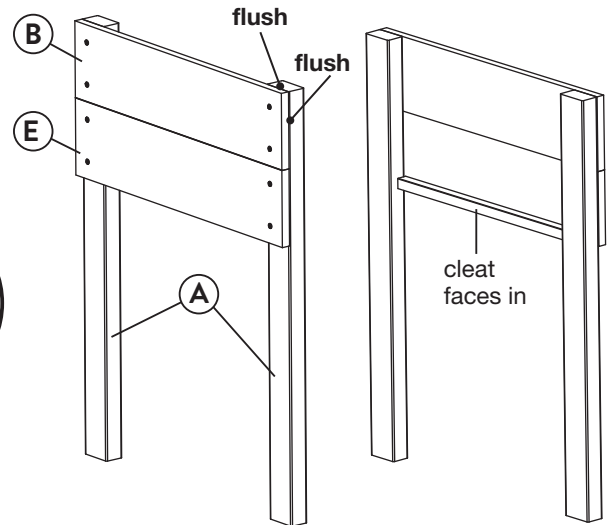
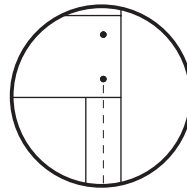
PARTS DIAGRAM



HOMESTEAD RUSTIC ELEVATED GARDEN PLANTER – ASSEMBLY INSTRUCTIONS

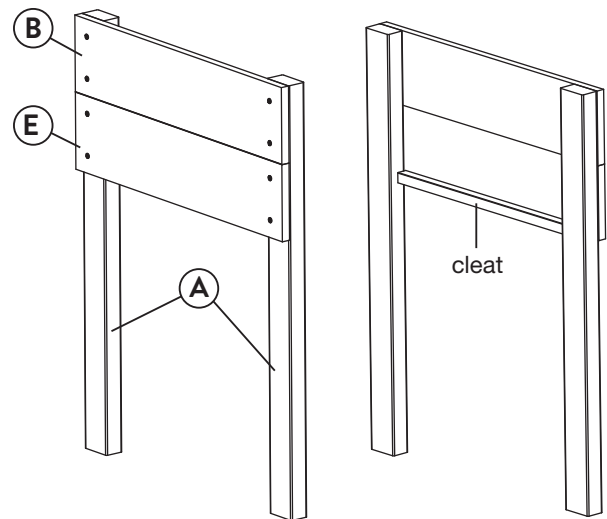
STEP 1 ASSEMBLE THE TWO ENDS

- Place one short board (B) and one short end board with cleat (E) onto the legs (A) as shown. Secure with screws (H) through the predrilled holes.
- Repeat with second side.



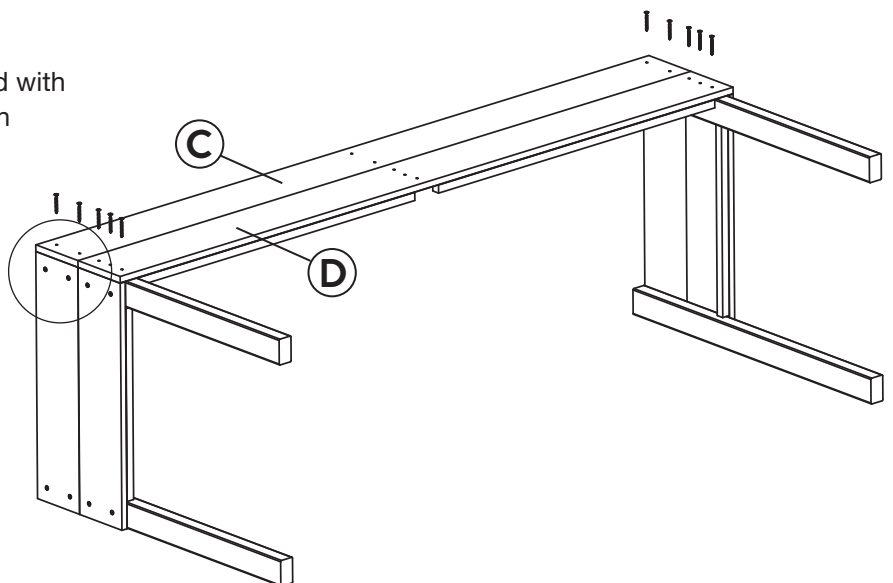
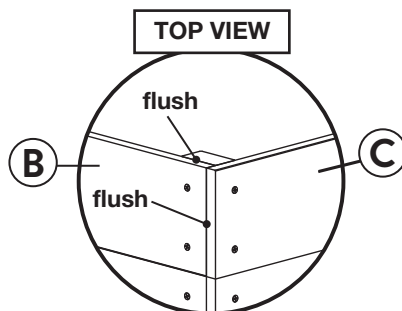
STEP 2 ASSEMBLE THE MIDDLE

- Place one short board (B) and one short end board with cleat (E) onto the legs (A) as shown. Secure with screws (H) through the predrilled holes.



STEP 3A ASSEMBLE THE SIDES

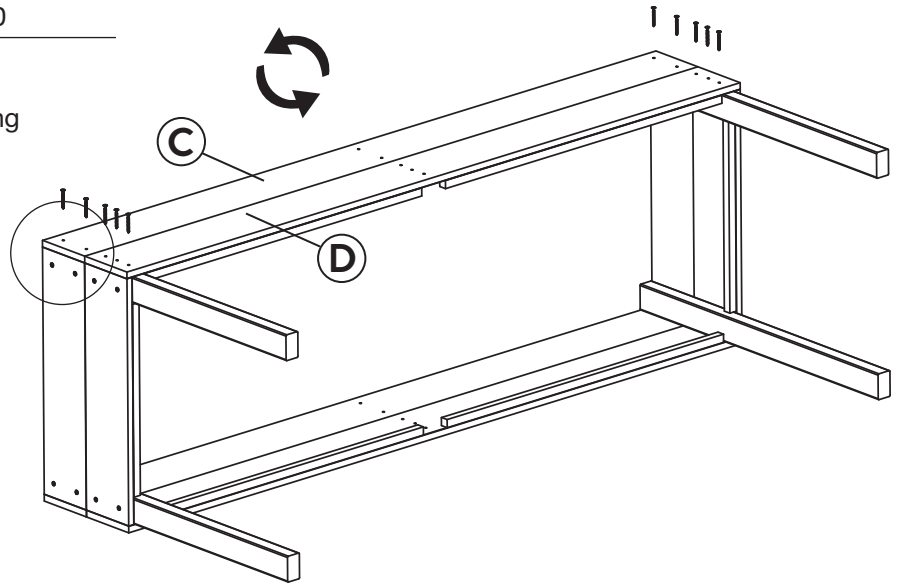
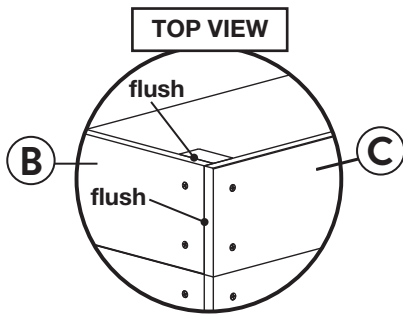
- Turn the two ends on their sides as shown, cleat facing in.
- Place one long board (C) and one long board with cleat (D) onto the legs as shown. Secure with screws (H) through the predrilled holes.



HOMESTEAD RUSTIC ELEVATED GARDEN PLANTER – ASSEMBLY INSTRUCTIONS

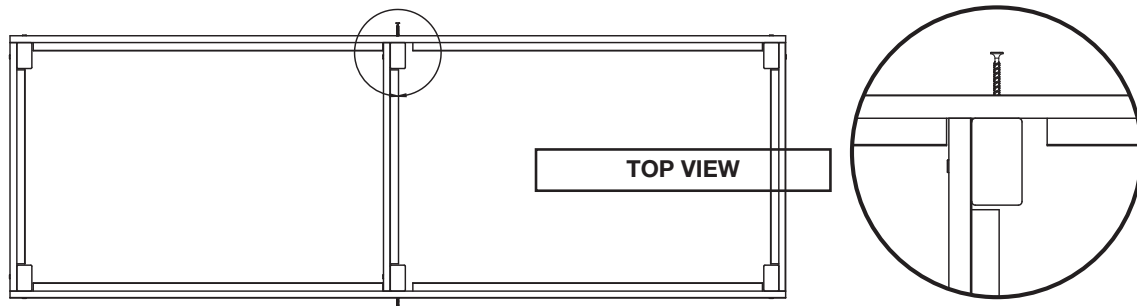
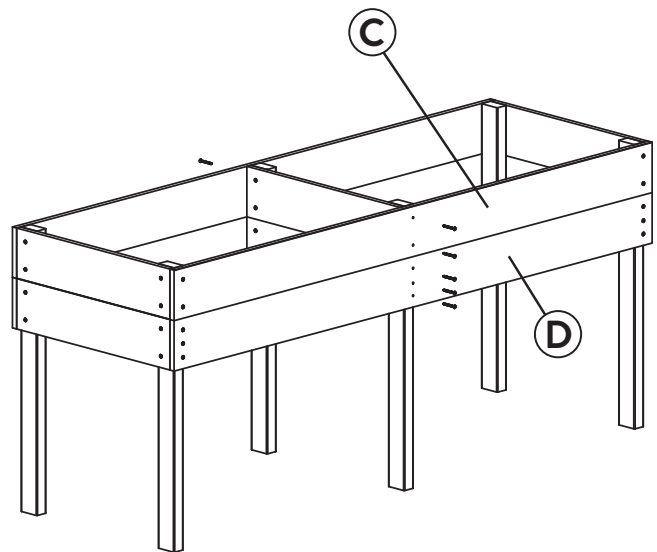
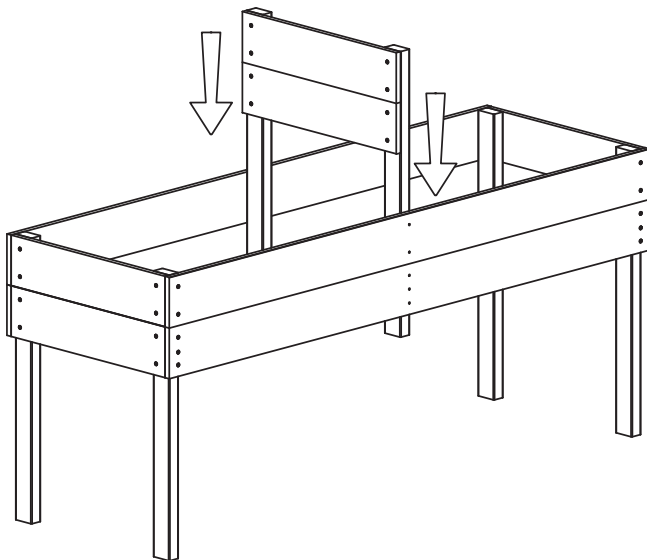
STEP 3B ASSEMBLE THE SIDES CONTINUED

- Carefully flip the planter over.
- Assemble the second side as shown, following instructions in Step 3A.



STEP 4 ATTACH THE MIDDLE TO THE SIDES

- Slide the middle into the frame and attach to the sides as shown. Be sure the screws are centered into the middle of the legs.

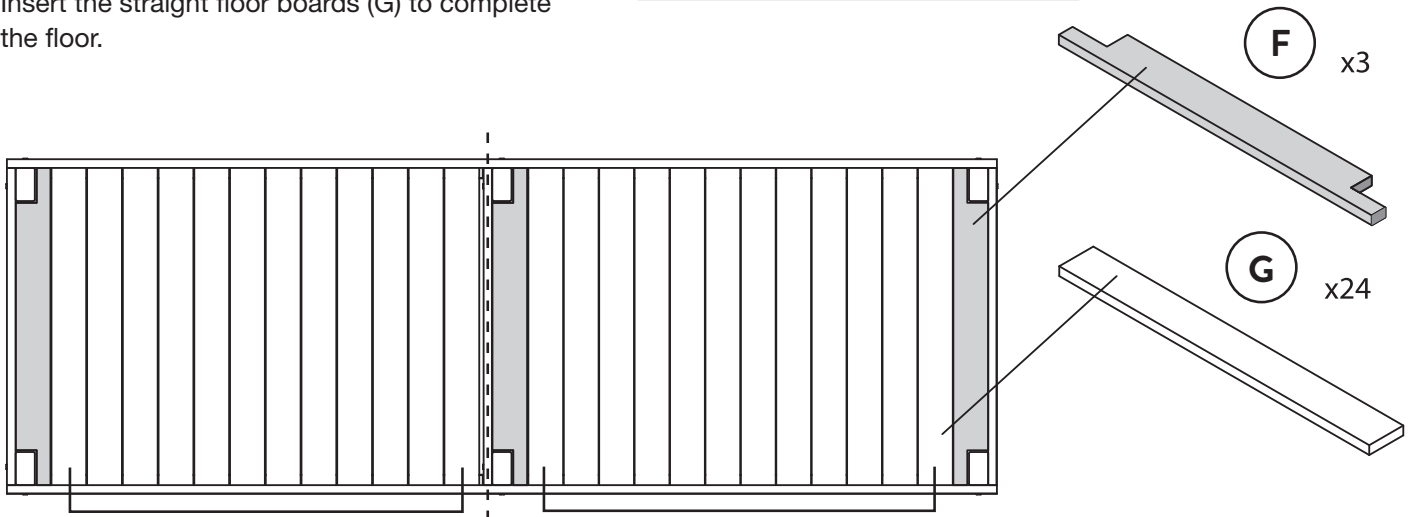


HOMESTEAD RUSTIC ELEVATED GARDEN PLANTER – ASSEMBLY INSTRUCTIONS

STEP 5 ASSEMBLE THE FLOOR

- Drop in the floor boards with notches (F) into the spaces that butt up against the legs as shown.
- Insert the straight floor boards (G) to complete the floor.

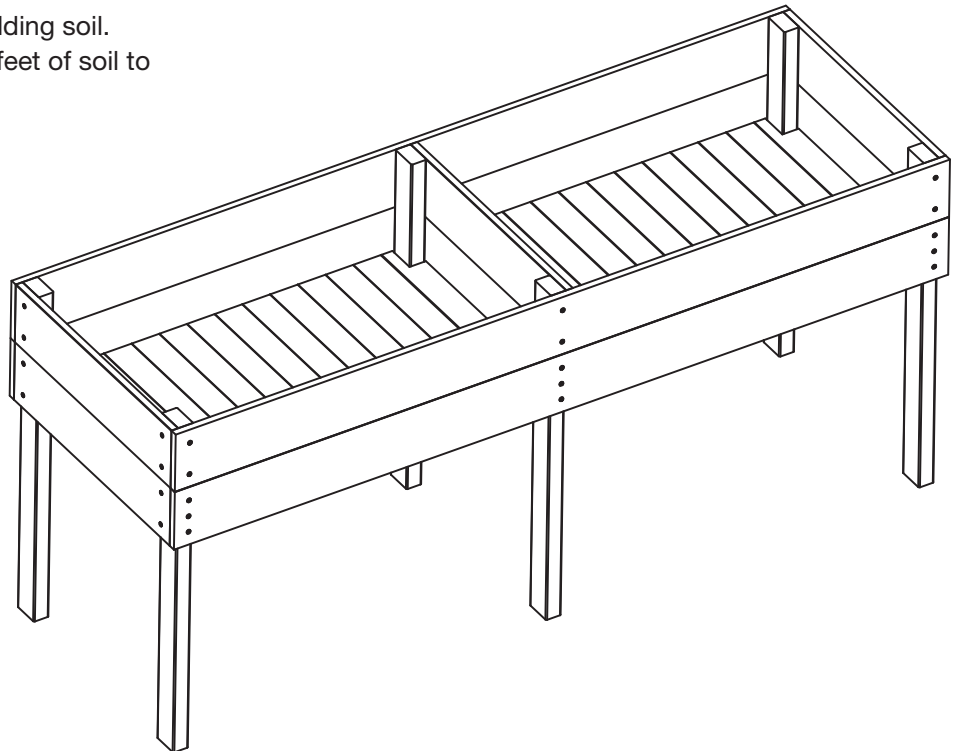
Note: Boards will have small gaps in between them to allow for drainage.



STEP 6 INSERT LANDSCAPE LINERS

- Insert landscape liner in bed before adding soil. You will need approximately 12 cubic feet of soil to fill the planter.

Note: If planting consumables, an impermeable liner is required (sold separately). Punch holes in bottom for draining.



THE DIAGRAMS AND INSTRUCTIONS IN THIS BROCHURE ARE FOR ILLUSTRATION PURPOSES ONLY AND ARE NOT MEANT TO REPLACE A LICENSED PROFESSIONAL. ANY CONSTRUCTION OR USE OF THE PRODUCT MUST BE IN ACCORDANCE WITH ALL LOCAL ZONING AND/OR BUILDING CODES. THE CONSUMER ASSUMES ALL RISKS AND LIABILITY ASSOCIATED WITH THE CONSTRUCTION OR USE OF THIS PRODUCT. THE CONSUMER OR CONTRACTOR SHOULD TAKE ALL NECESSARY STEPS TO ENSURE THE SAFETY OF EVERYONE INVOLVED IN THE PROJECT, INCLUDING, BUT NOT LIMITED TO, WEARING THE APPROPRIATE SAFETY EQUIPMENT. EXCEPT AS CONTAINED IN THE WRITTEN LIMITED WARRANTY, THE WARRANTOR DOES NOT PROVIDE ANY OTHER WARRANTY, EITHER EXPRESS OR IMPLIED, AND SHALL NOT BE LIABLE FOR ANY DAMAGES, INCLUDING CONSEQUENTIAL DAMAGES.

©2022 UFP Retail Solutions, LLC. Outdoor Essentials is a registered trademark of UFP Industries, Inc.
All rights reserved. 2801 E. Beltline NE, Grand Rapids, MI 49525 14059_2/22

OutdoorEssentialProducts.com