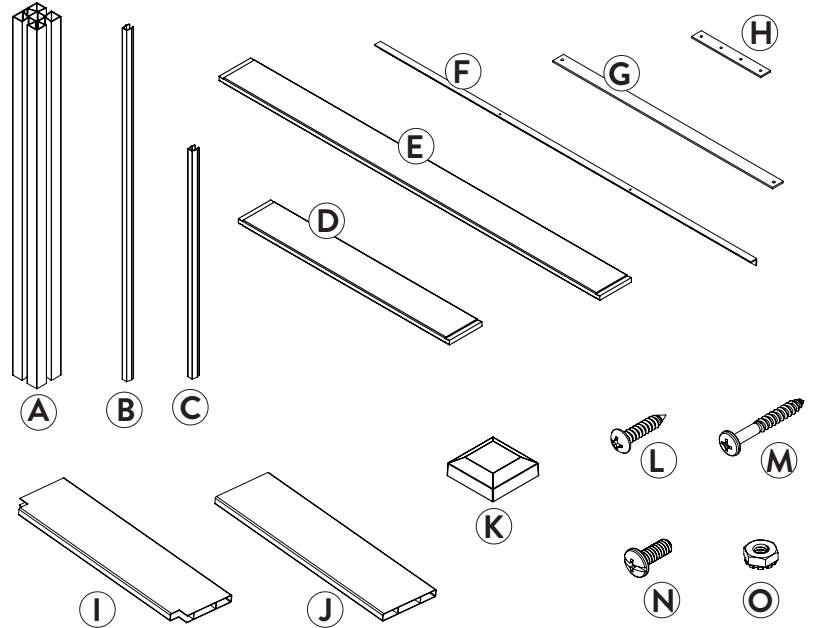




Kit Contents

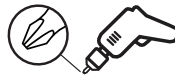
- A** 4 – Legs
- B** 4 – Long filler strips
- C** 8 – Short filler strips
- D** 4 – Short dovetailed composite boards
- E** 4 – Long dovetailed composite boards
- F** 2 – 64-1/2" Aluminum cleats
- G** 2 – 20-1/2" Aluminum braces
- H** 2 – 7" Aluminum plates
- I** 2 – Notched bottom boards
- J** 9 – Straight bottom boards
- K** 4 – Post caps
- L** 30 – 3/4" Pan head screws
- M** 8 – 1-1/4" Pan head screws
- N** 4 – #10-24 Pan head machine screws
- O** 4 – #10-24 Hex nuts with star-lock washers



View our assembly video at oe.media/planters or scan this code.



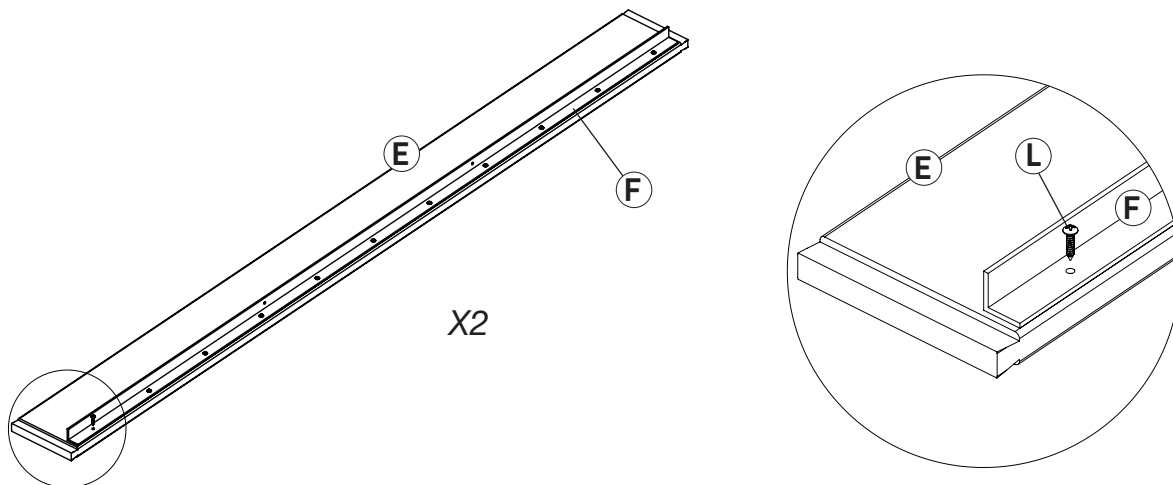
Tools Needed



- Handheld power drill with #2 Phillips bit
- Rubber mallet
- Screwdriver
- Tape measure

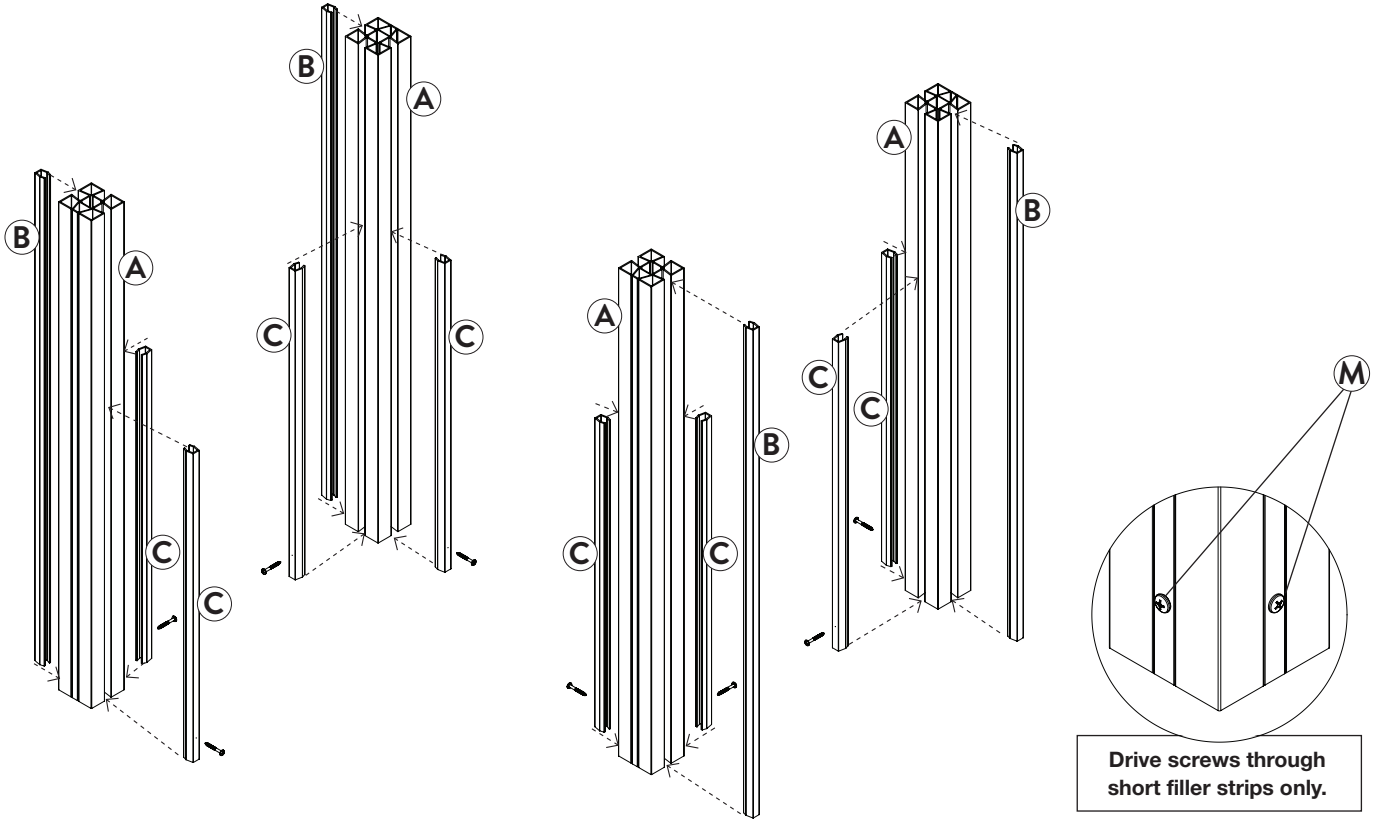
ASSEMBLY

- 1** Position one cleat (F) onto the grooved side (NOT the "good" embossed woodgrain side) of one long dovetailed board (E), flush and centered along the bottom edge, as shown. Attach with 11 – 3/4" pan head screws (L). Repeat these steps with second cleat (F) and board (E).

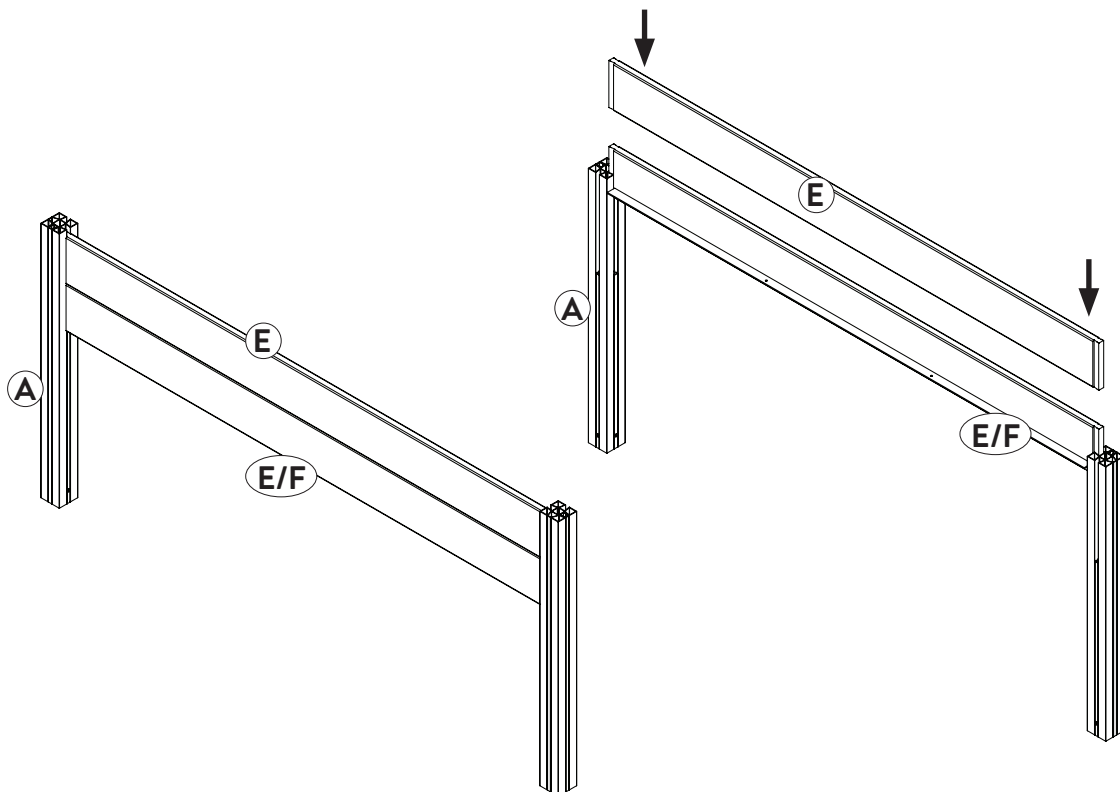


PERENNIA ELEVATED GARDEN PLANTER – ASSEMBLY INSTRUCTIONS

- 2** Snap filler strips into legs as shown. Drive one 1-1/4" pan head screw (M) through each short filler strip (C) about 1" from the bottom to secure to leg.



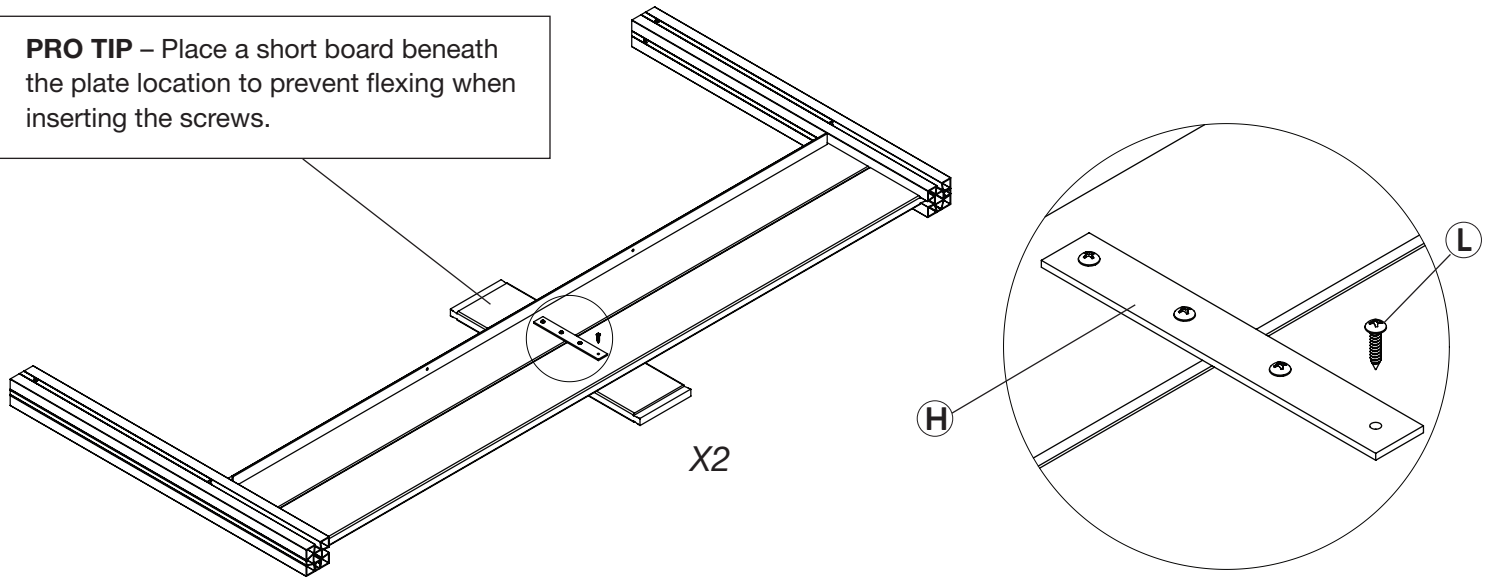
- 3** Slide the long board with cleat (E/F) and long board without cleat (E) into the legs (A) as shown. Use a rubber mallet if needed.



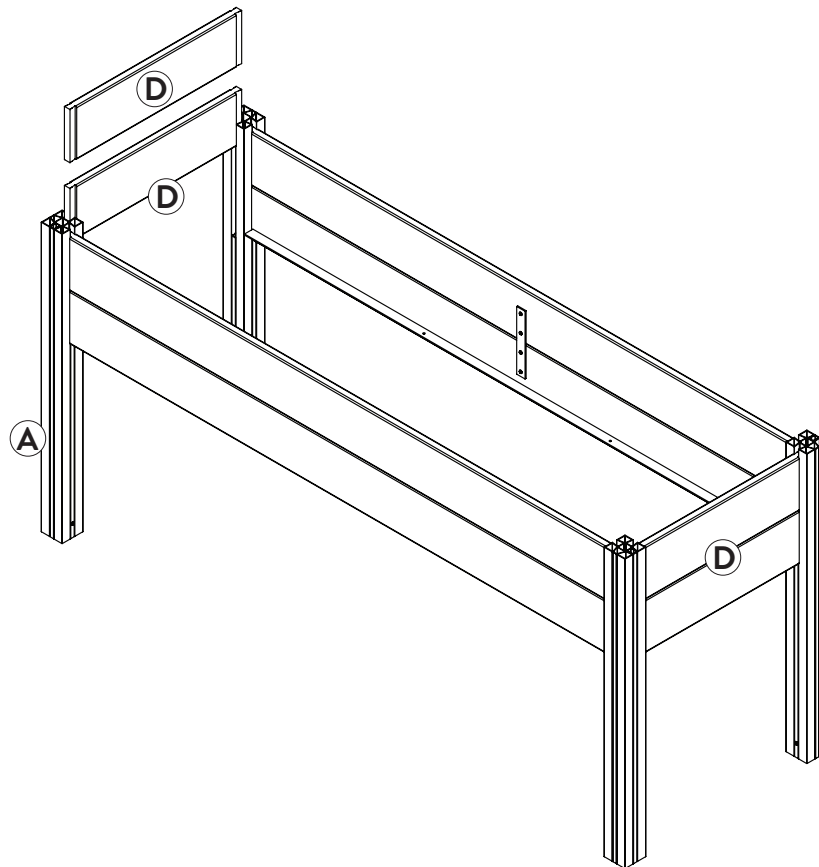
PERENNIA ELEVATED GARDEN PLANTER – ASSEMBLY INSTRUCTIONS

- 4** Place the 7" aluminum plate (H) onto the side boards, centered top-to-bottom and left-to-right. Use a tape measure to find center. Attach with four 3/4" screws (L). Repeat to build second long side.

PRO TIP – Place a short board beneath the plate location to prevent flexing when inserting the screws.

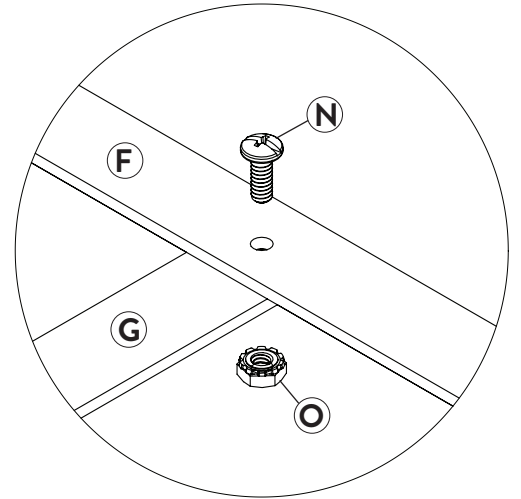
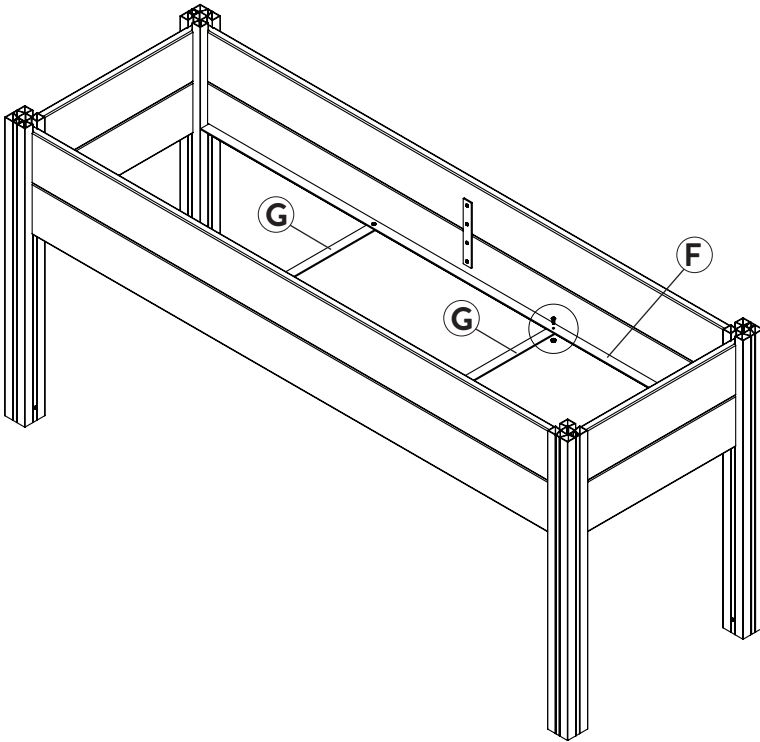


- 5** Slide the short dovetailed composite boards (D) into the legs (A) as shown. Use a rubber mallet if needed.

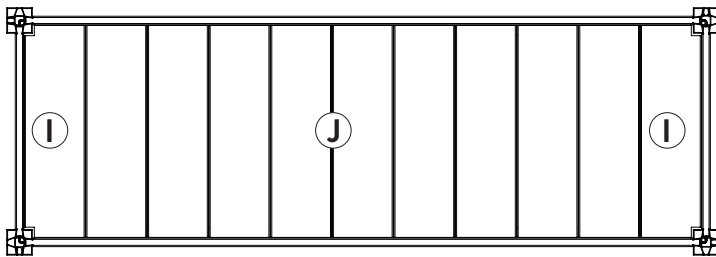


PERENNIA ELEVATED GARDEN PLANTER – ASSEMBLY INSTRUCTIONS

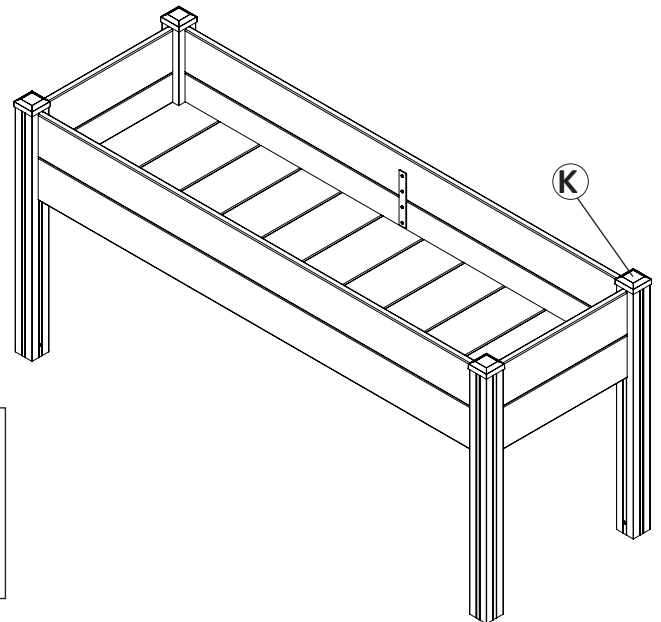
- 6** Position the aluminum braces (G) under the cleats (F) and align the holes. Attach with the machine screw (N) and hex nut (O). Thread and tighten by hand, then fully tighten with a screwdriver.



- 6** Place the bottom boards (I & J) on the cleats as shown to complete the planter floor.



- 7** Push the post caps onto the tops of the legs to complete the planter.



- Place planter on level, solid ground.
- You will need approximately 7.5 cubic feet of soil to fill the planter.
- Maximum soil load – 650 lbs.
- Place soil evenly across the bed - don't dump a whole bag in at once.

THE DIAGRAMS AND INSTRUCTIONS IN THIS BROCHURE ARE FOR ILLUSTRATION PURPOSES ONLY AND ARE NOT MEANT TO REPLACE A LICENSED PROFESSIONAL. ANY CONSTRUCTION OR USE OF THE PRODUCT MUST BE IN ACCORDANCE WITH ALL LOCAL ZONING AND/OR BUILDING CODES. THE CONSUMER ASSUMES ALL RISKS AND LIABILITY ASSOCIATED WITH THE CONSTRUCTION OR USE OF THIS PRODUCT. THE CONSUMER OR CONTRACTOR SHOULD TAKE ALL NECESSARY STEPS TO ENSURE THE SAFETY OF EVERYONE INVOLVED IN THE PROJECT, INCLUDING, BUT NOT LIMITED TO, WEARING THE APPROPRIATE SAFETY EQUIPMENT. EXCEPT AS CONTAINED IN THE WRITTEN LIMITED WARRANTY, THE WARRANTOR DOES NOT PROVIDE ANY OTHER WARRANTY, EITHER EXPRESS OR IMPLIED, AND SHALL NOT BE LIABLE FOR ANY DAMAGES, INCLUDING CONSEQUENTIAL DAMAGES.

©2021 UFP Retail Solutions, LLC. Perennia is a trademark and Outdoor Essentials is a registered trademark of UFP Industries, Inc. All rights reserved. 2801 E. Beltline NE, Grand Rapids, MI 49525 13723_7/21

OutdoorEssentialProducts.com

Pg. 4