



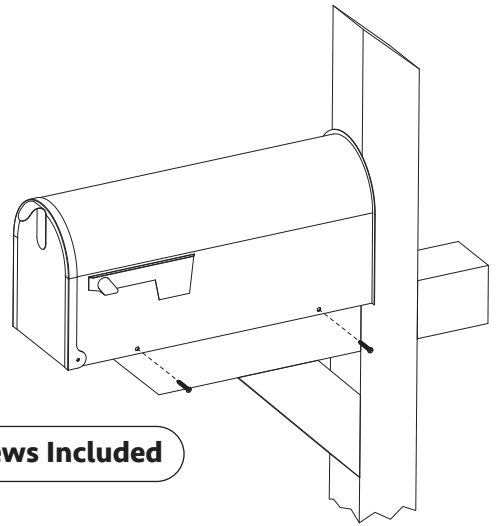
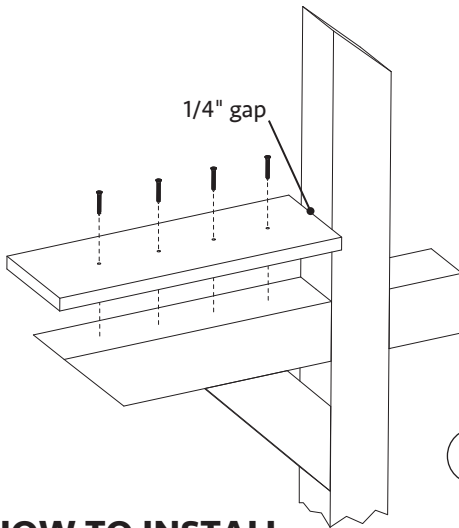
**OUTDOOR
ESSENTIALS®**

**For mounting a mailbox
onto a wood mailbox post.**

Fits mailboxes 6" - 7-1/4" wide

6" TREATED MAILBOX MOUNTING BOARD

6" W x 17" L x 3/4" D / 15.2 cm W x 43.1 cm L x 1.9 cm D



Screws Included

HOW TO INSTALL:

1. Center the mounting board on the mailbox arm, leaving 1/4" gap between the end of the board and the post arm.
2. Attach the mounting board to the arm using four of the screws provided.
3. Attach the mailbox to the mounting board by drilling the remaining screws through the holes on the sides of the mailbox.



View our assembly video online at oe.media/mailboxposts

15002