

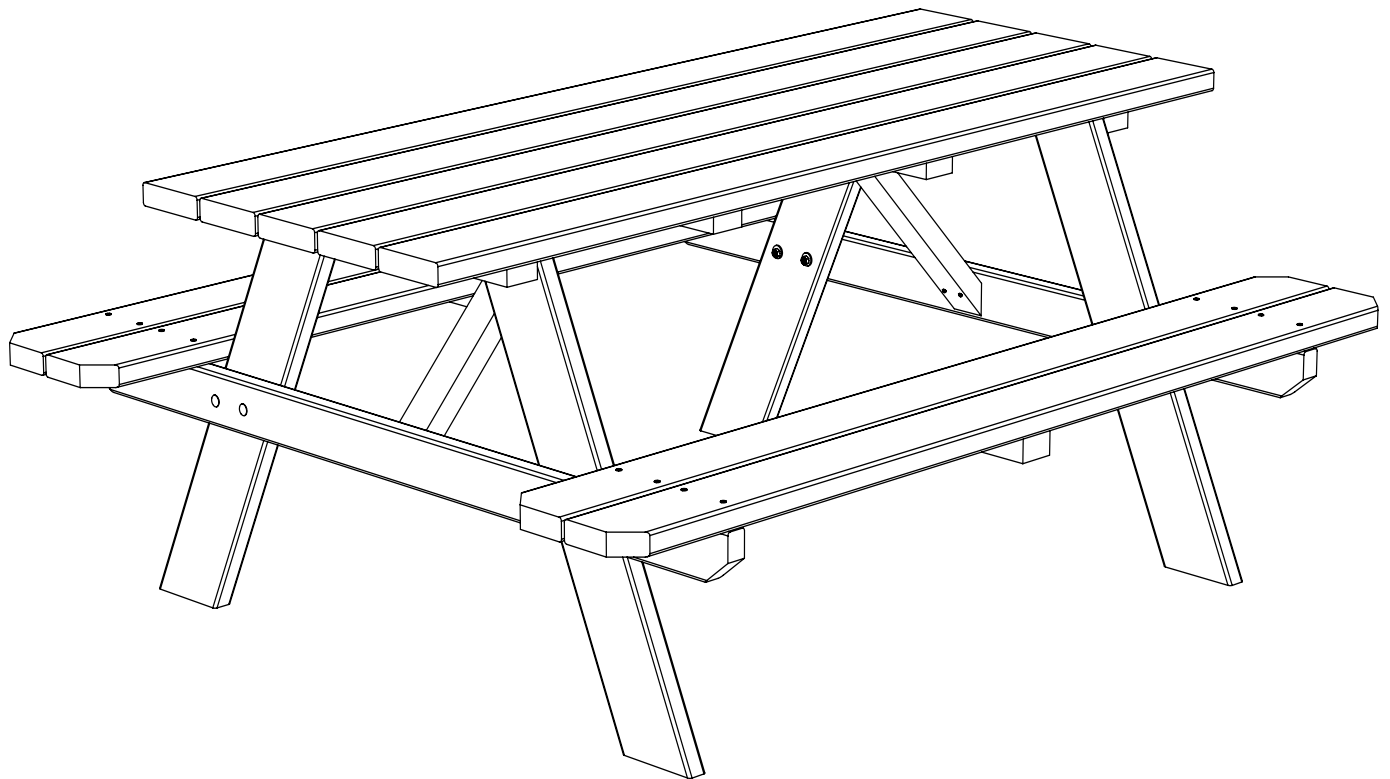


OUTDOOR
ESSENTIALS®

HOMESTEAD 6 FT. WOOD PICNIC TABLE

ASSEMBLY INSTRUCTIONS

ASSEMBLED DIMENSIONS: 71" L X 59" W X 29" H



TOOLS YOU WILL NEED:



POWER DRILL
WITH STAR BIT



5/16" WRENCH
OR SOCKET
WRENCH



TAPE MEASURE



PENCIL



HAMMER OR
MALLET



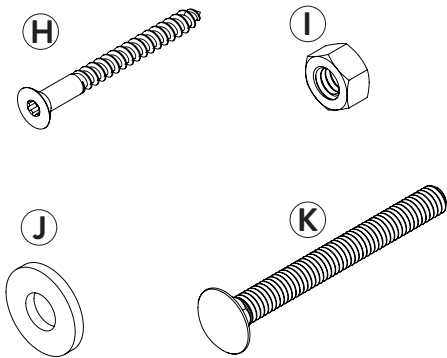
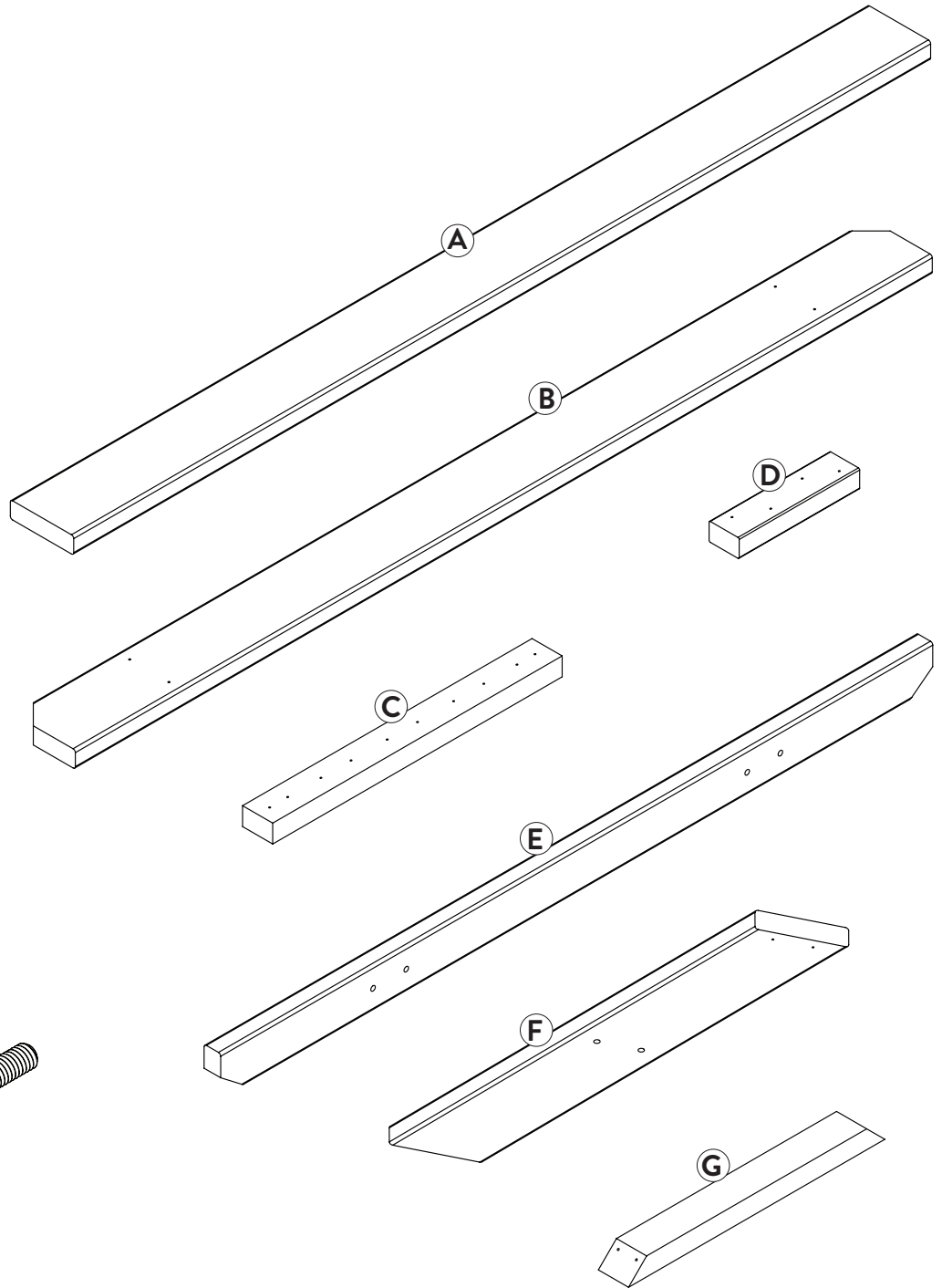
CLAMPS

Questions? Call Customer Service:

1-844-529-5882

HOMESTEAD 6 FT. WOOD PICNIC TABLE – COMPONENTS LIST

- A** 5 – Tabletop Boards
- B** 4 – Bench Boards
- C** 4 – Tabletop Cleats
- D** 2 – Bench Board Cleats
- E** 2 – Bench Supports
- F** 4 – Table Legs
- G** 2 – Diagonal Braces
- H** 80 – Star (Torx) Head Screws
- I** 8 – Hex Nuts
- J** 8 – Washers
- K** 8 – Carriage Bolts



Before you Begin



We recommend wearing protective gear when working with wood products.

Your Outdoor Essentials Homestead Picnic Table will come in 3 separate boxes, each containing components to build your picnic table. Wait until you receive all three before getting started.

Scan this code to view
our assembly video
OR visit [oe.media/
homesteadtable](https://oe.media/homesteadtable)



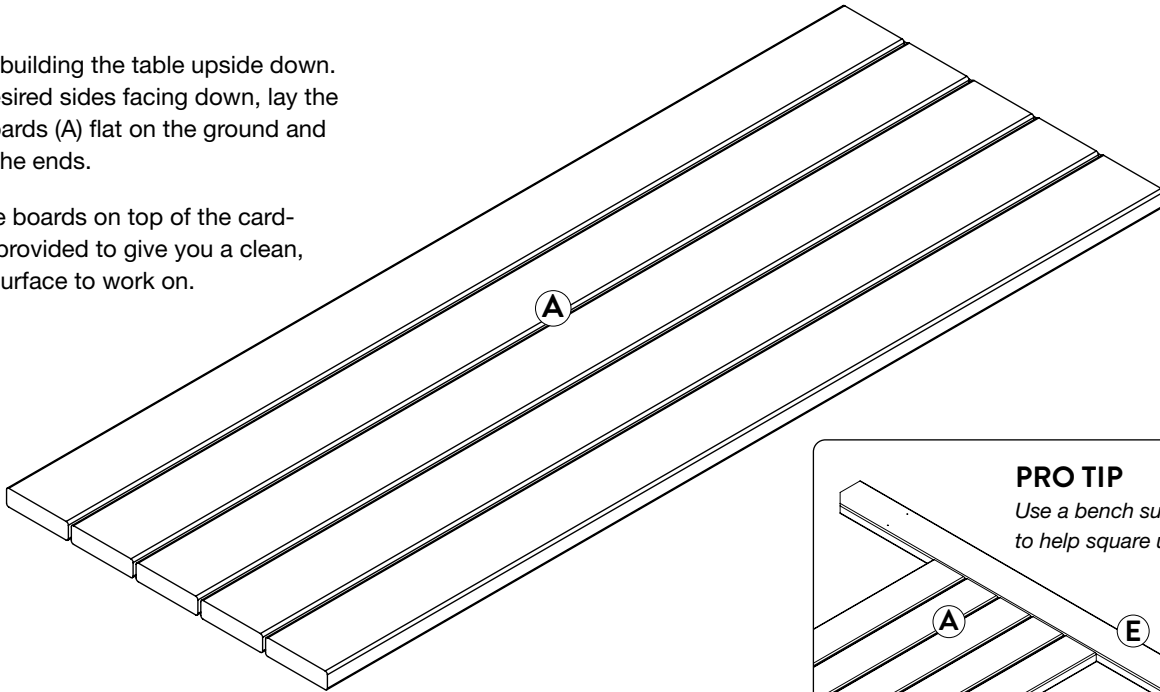
HOMESTEAD 6 FT. WOOD PICNIC TABLE – ASSEMBLY INSTRUCTIONS

Assemble the Table Top

1

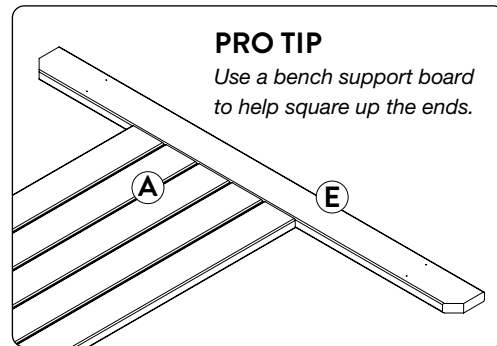
You will be building the table upside down. With the desired sides facing down, lay the tabletop boards (A) flat on the ground and square up the ends.

TIP: Lay the boards on top of the cardboard box provided to give you a clean, protected surface to work on.



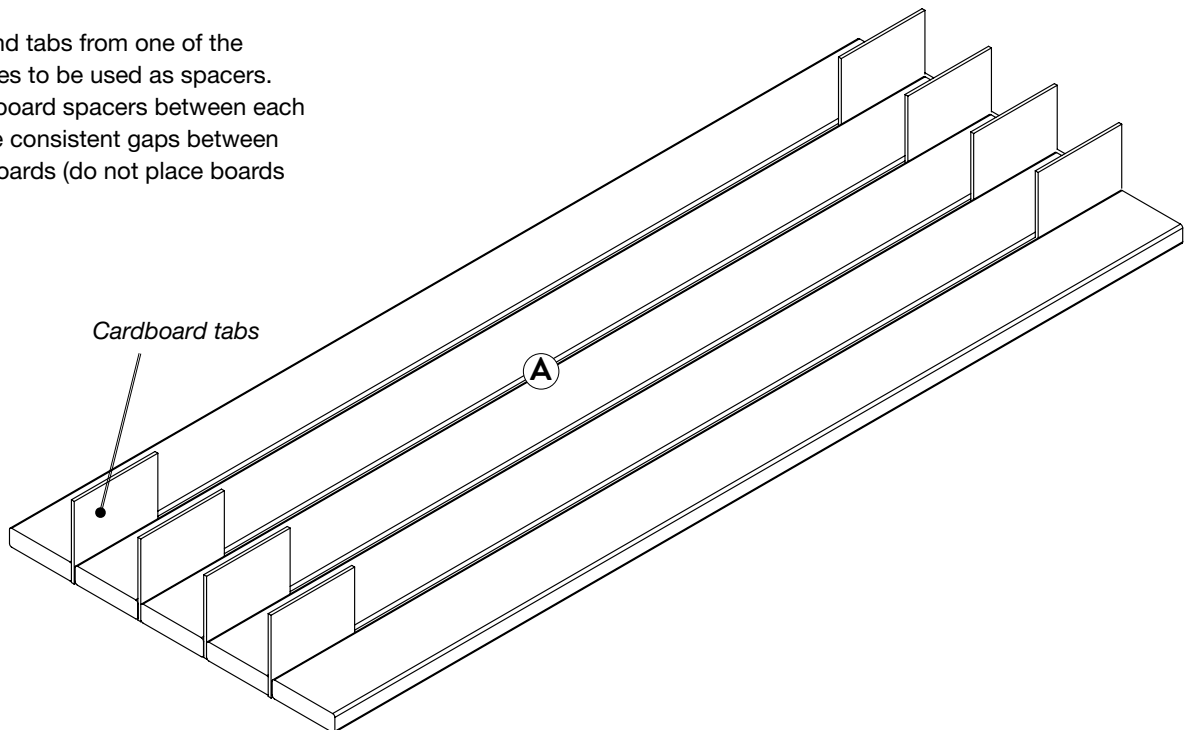
PRO TIP

Use a bench support board to help square up the ends.



2

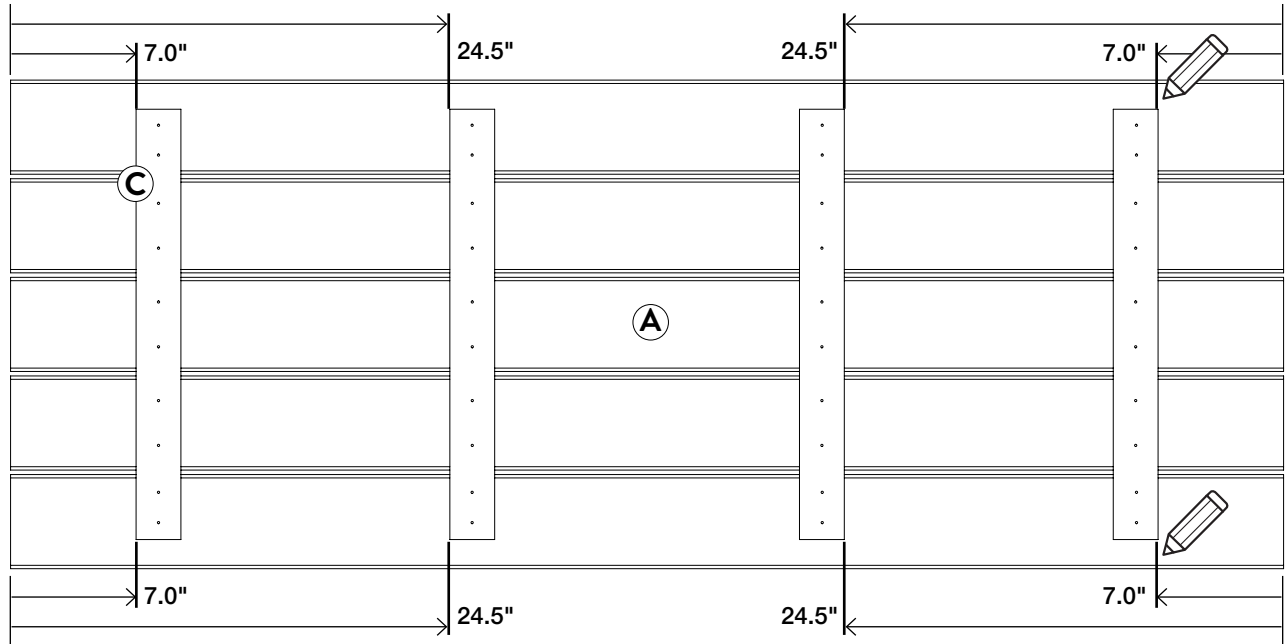
Cut off the 8 end tabs from one of the cardboard boxes to be used as spacers. Place the cardboard spacers between each board to create consistent gaps between the table top boards (do not place boards tight together).



HOMESTEAD 6 FT. WOOD PICNIC TABLE – ASSEMBLY INSTRUCTIONS

3

Starting at each end of the table top, make required measurements as shown on the outside edge of each cleat and mark with a pencil. Align the cleats (C) at each of the marks.

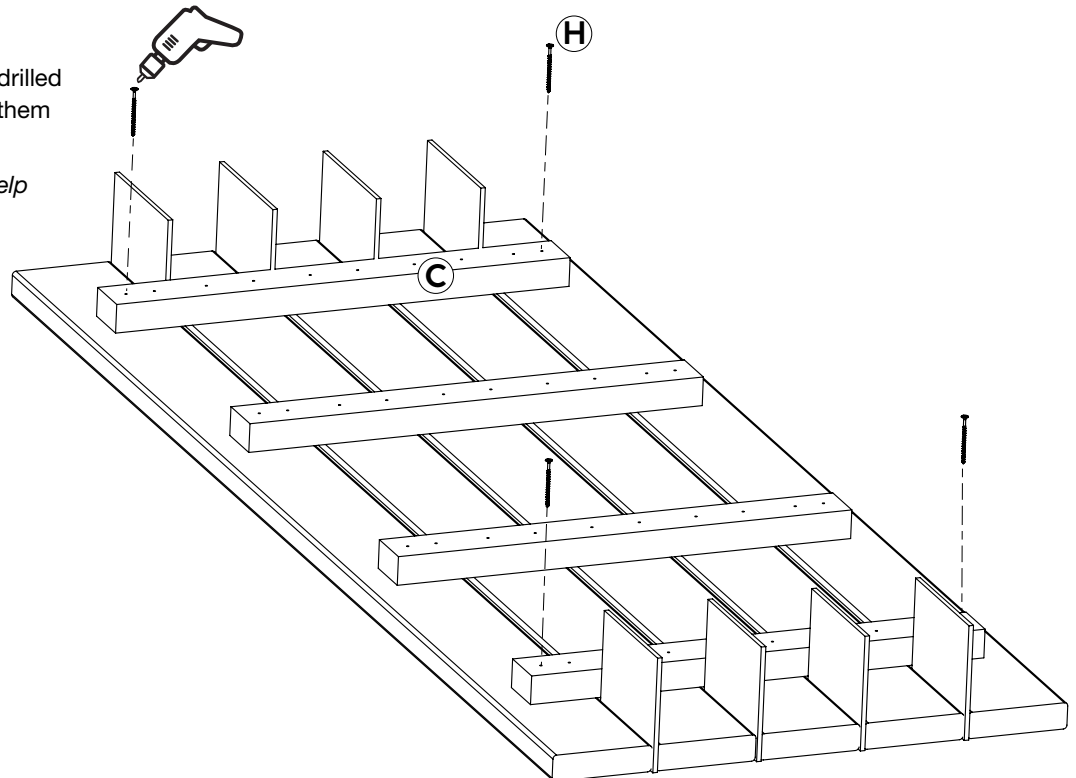


4

Drive screws (H) through the predrilled holes in each cleat (C) to attach them to the tabletop.

Tip: Start with the 4 corners to help lock the boards into position.

Remove cardboard spacers.



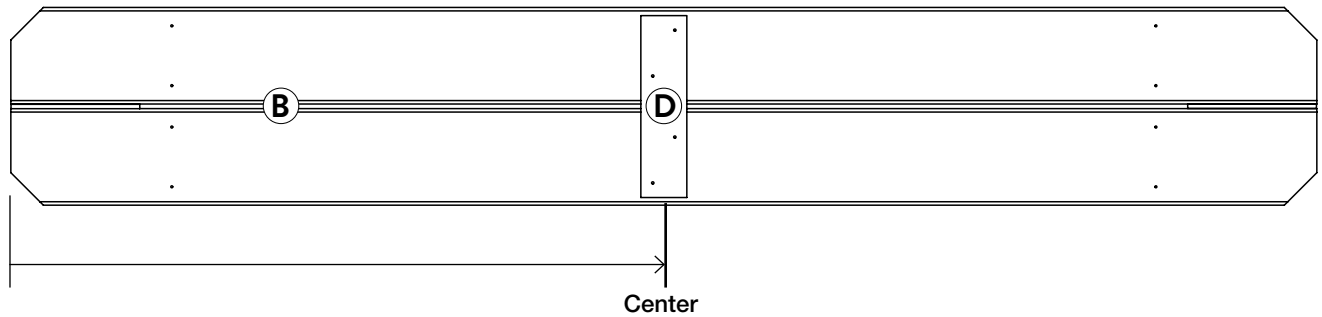
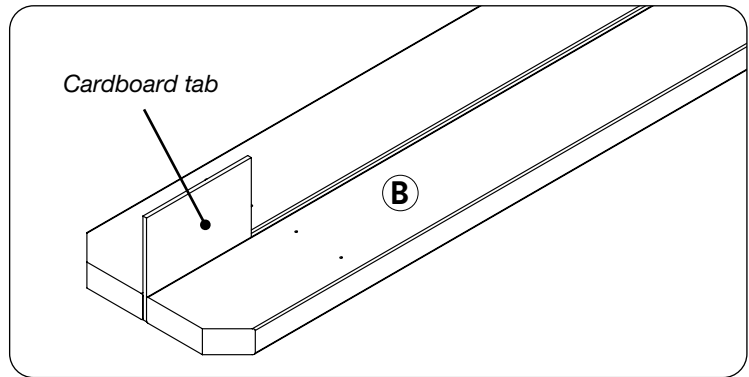
HOMESTEAD 6 FT. WOOD PICNIC TABLE – ASSEMBLY INSTRUCTIONS

Assemble the Bench Seats

5

With desired sides facing down, place two bench boards (B) side-by-side on a protected surface. Place a cardboard tab between the boards at each end.

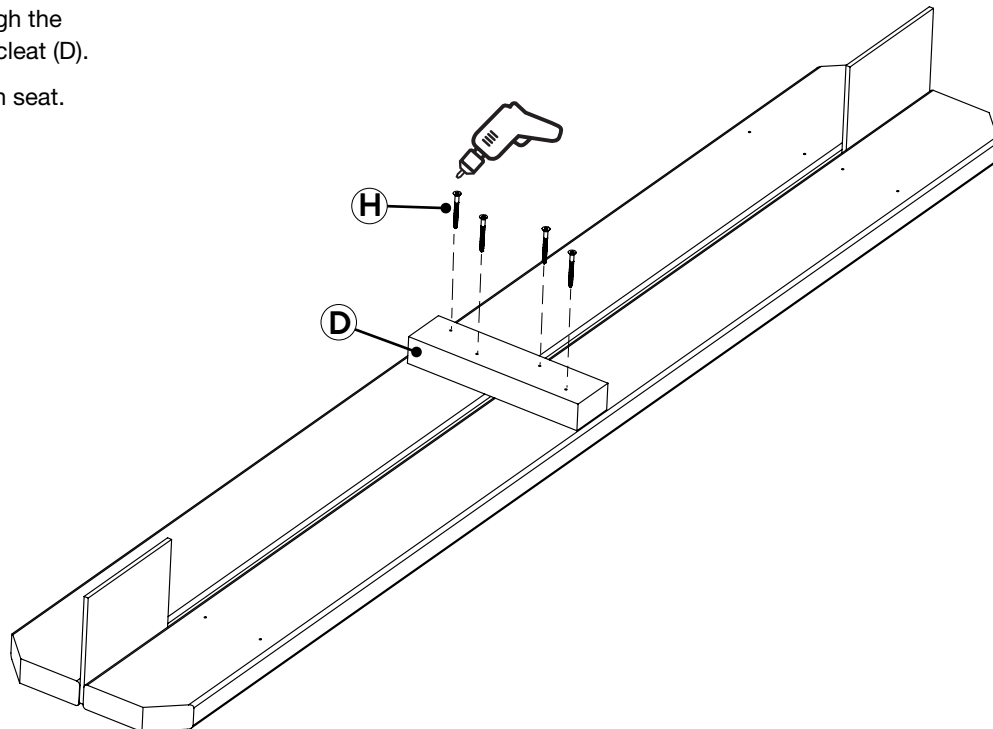
Center a bench board cleat (D) across the middle of the bench boards.



6

Drive screws (H) through the predrilled holes in the cleat (D).

Repeat for other bench seat.

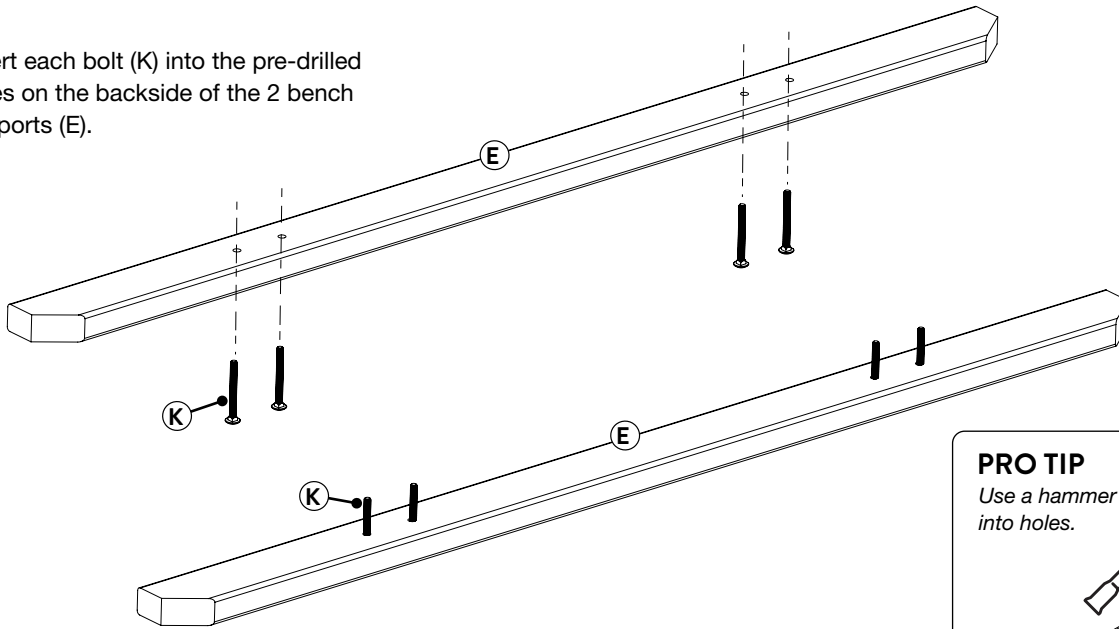


HOMESTEAD 6 FT. WOOD PICNIC TABLE – ASSEMBLY INSTRUCTIONS

Assemble the Legs

7

Insert each bolt (K) into the pre-drilled holes on the backside of the 2 bench supports (E).



PRO TIP

Use a hammer to fully set the bolts into holes.



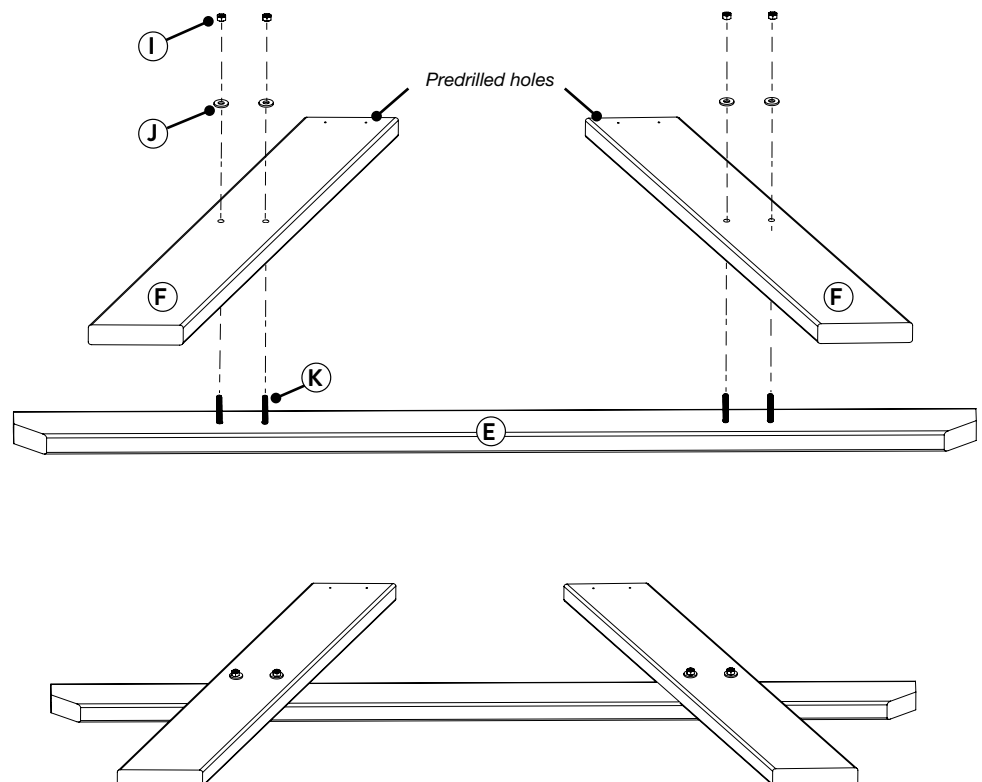
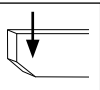
8

In the position shown, place the legs boards (F) onto the carriage bolts (K) and attach with a washer (J) and hex nut (I).

Do not fully tighten hex nuts.

Repeat for second set of legs.

Make sure beveled corners face downward.



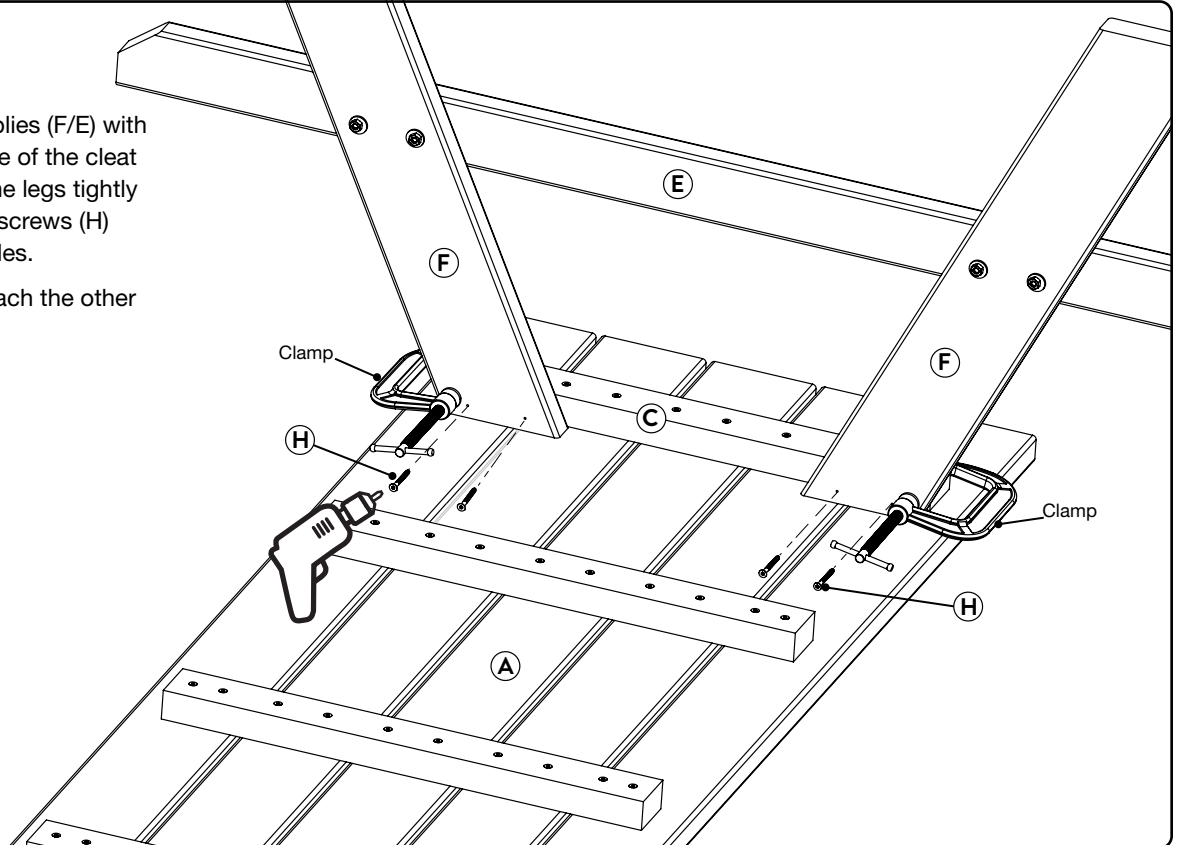
HOMESTEAD 6 FT. WOOD PICNIC TABLE – ASSEMBLY INSTRUCTIONS

Attach Leg Assemblies to Tabletop

9

Square up the leg assemblies (F/E) with the tabletop and inner side of the cleat (C). Use clamps to hold the legs tightly to the cleats. Attach with screws (H) through the pre-drilled holes.

Repeat these steps to attach the other leg assembly.



Attach Diagonal Braces

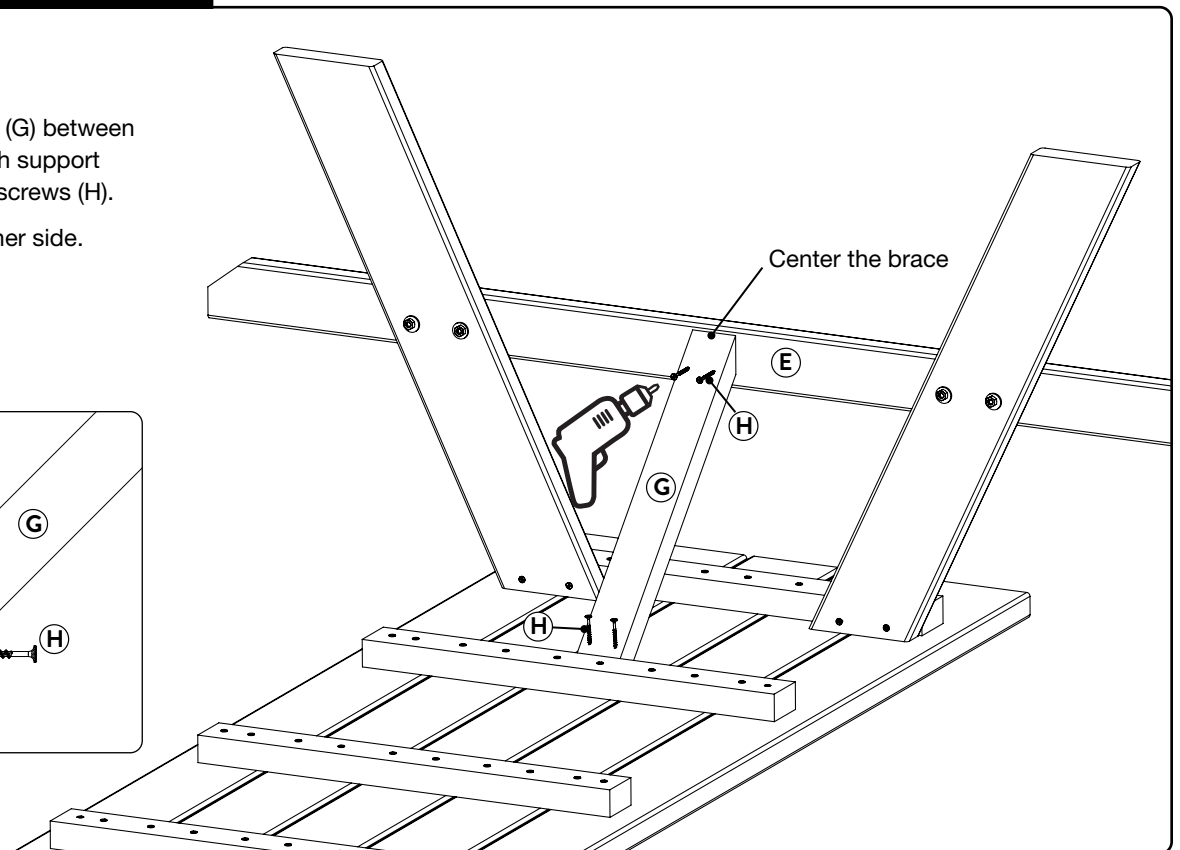
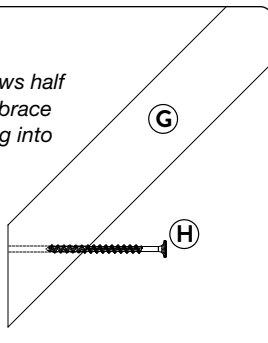
10

Center the diagonal brace (G) between the tabletop and the bench support board (E) and attach with screws (H).

Repeat these steps for other side.

PRO TIP

Pre-drill screws half way into the brace before putting into position.



HOMESTEAD 6 FT. WOOD PICNIC TABLE – ASSEMBLY INSTRUCTIONS

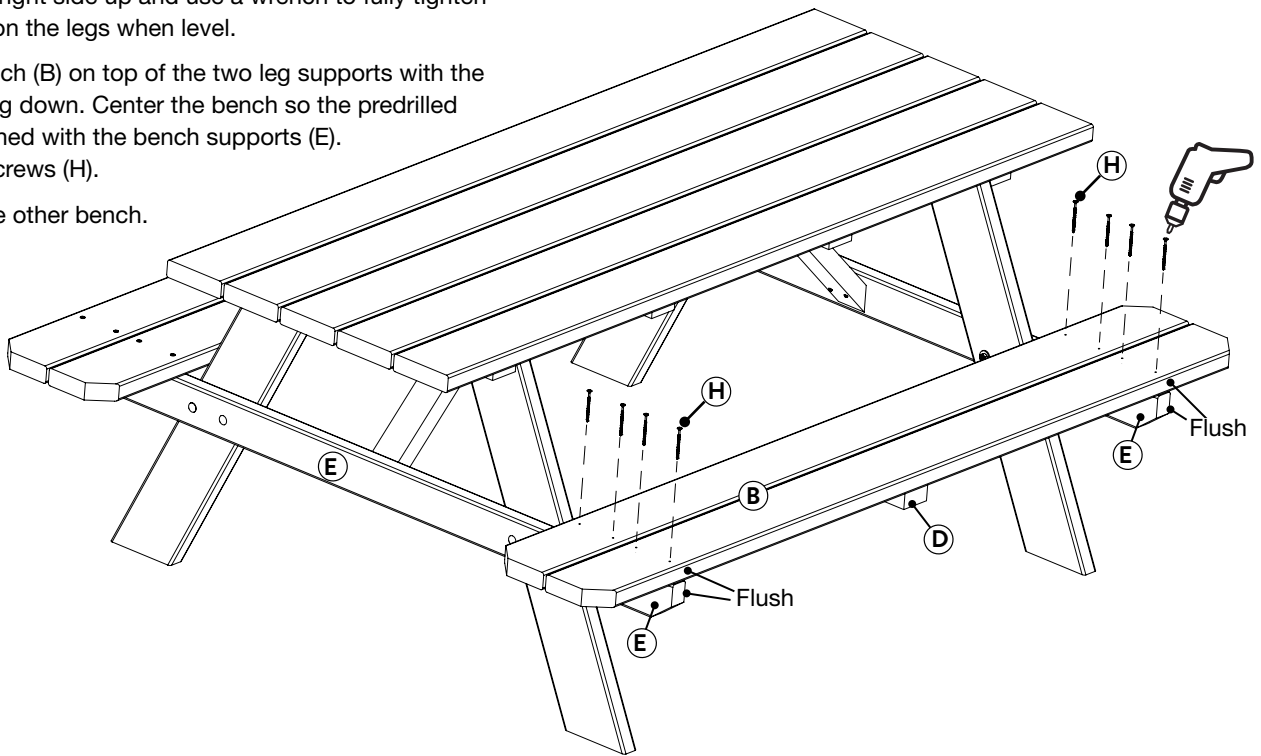
Attach the Benches

11

Flip the table right side up and use a wrench to fully tighten the hex nuts on the legs when level.

Place the bench (B) on top of the two leg supports with the cleat (D) facing down. Center the bench so the predrilled holes are aligned with the bench supports (E). Attach with screws (H).

Repeat for the other bench.



CARE AND MAINTENANCE

PRO TIPS



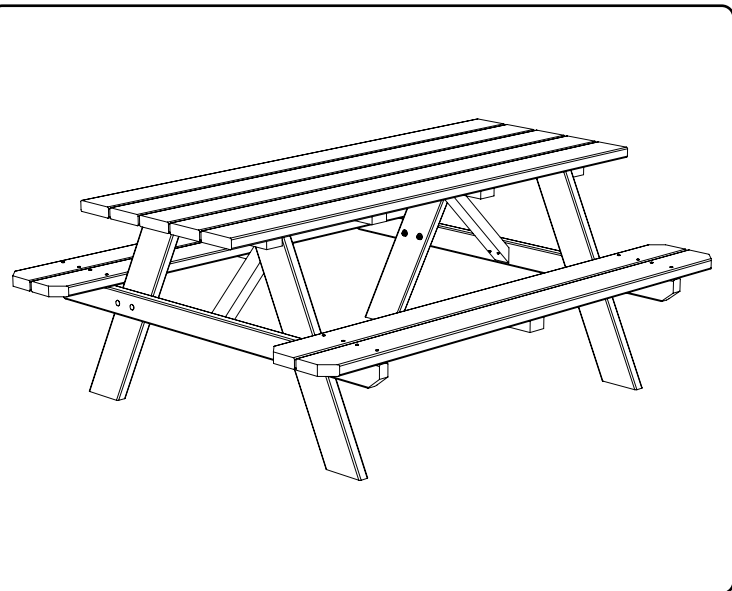
Natural wood products will weather if exposed to the elements and develop a gray surface coloring. To maintain the appearance of the wood along with the extending the life of your table, apply a protective finish such as a semitransparent stain or waterproofing sealer.

The table has approximately 86 square feet of surface area. Apply the finish following the stain or sealer manufacturer's instructions and reapply as needed.



Check out our blog to learn more about finishing your picnic table, along with other projects!

OE.media/blog



THE DIAGRAMS AND INSTRUCTIONS IN THIS BROCHURE ARE FOR ILLUSTRATION PURPOSES ONLY AND ARE NOT MEANT TO REPLACE A LICENSED PROFESSIONAL. ANY CONSTRUCTION OR USE OF THE PRODUCT MUST BE IN ACCORDANCE WITH ALL LOCAL ZONING AND/OR BUILDING CODES. THE CONSUMER ASSUMES ALL RISKS AND LIABILITY ASSOCIATED WITH THE CONSTRUCTION OR USE OF THIS PRODUCT. THE CONSUMER OR CONTRACTOR SHOULD TAKE ALL NECESSARY STEPS TO ENSURE THE SAFETY OF EVERYONE INVOLVED IN THE PROJECT, INCLUDING, BUT NOT LIMITED TO, WEARING THE APPROPRIATE SAFETY EQUIPMENT. EXCEPT AS CONTAINED IN THE WRITTEN LIMITED WARRANTY, THE WARRANTOR DOES NOT PROVIDE ANY OTHER WARRANTY, EITHER EXPRESS OR IMPLIED, AND SHALL NOT BE LIABLE FOR ANY DAMAGES, INCLUDING CONSEQUENTIAL DAMAGES.

©2022 UFP Retail Solutions, LLC. Outdoor Essentials is a registered trademark of UFP Industries, Inc.

All rights reserved. 2801 E. Beltline NE, Grand Rapids, MI 49525 14314_7/22