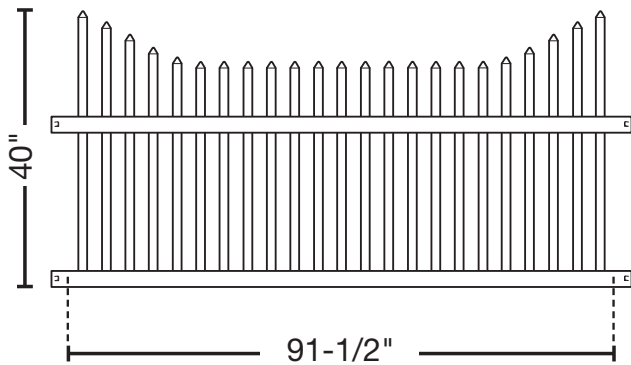




ProSeries



Kit contents

- 23 — Pickets
- 1 — Reinforced bottom rail
- 1 — Top rail

Preparation

Check local ordinances and regulations before building your fence. Before construction, contact your local utility companies to mark any underground cables and pipelines. In addition, it is a good idea to discuss plans with any neighbors along your proposed fence line.

Design and layout

- Determine the number of posts, panels and gates needed to complete the job based on the total linear footage. Take into consideration post, panel and gate widths when determining the total number of each.
- Adjust layout to accommodate as many full panels as possible. If you must use a partial panel, place it in the farthest rear corner of the property.
- Locate property boundaries and drive stakes into the ground at corners and ends of fence line, based on local municipality regulations.
- Stretch twine or heavy string between stakes and pull tight to mark layout of fence line.
- Be sure to measure your fence panels and gates prior to determining the location of the postholes. Place posts in the following order along string line:
 - End/corner posts
 - Gate posts
 - Line posts

Items needed

- Alexandria Fence posts*
- Level
- Gravel
- Posthole digger
- Chop saw**
- Shims
- Measuring tape
- String line
- Pencil
- Clear PVC cement
- Fast-setting concrete
- Safety glasses
- Power drill
- Gloves

*One per panel, plus one to complete the fence run

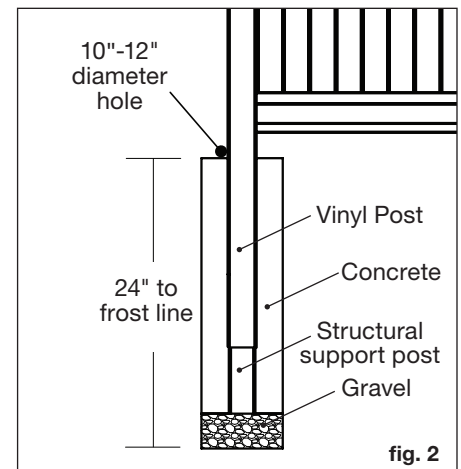
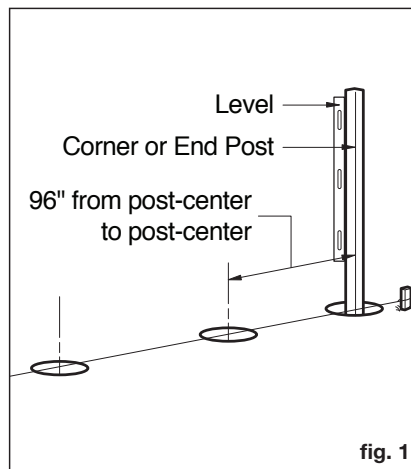
**Needed if cutting down a panel

Digging postholes

Check local regulations for specific building requirements. Mark the posthole locations 96" apart along a string line (measuring post-center to post-center, fig 1).

With a posthole digger or power auger, create holes between 10" and 12" wide and a minimum of 24" deep or to the frost line. Use a structural post to extend the length of your post if needed.

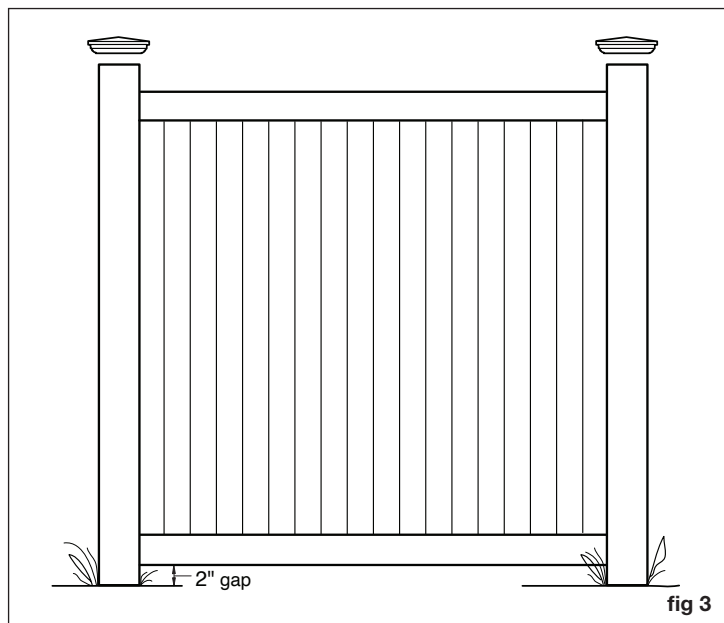
Then, backfill the holes with 6" of gravel to allow drainage from the bottom of the posts (fig. 2). Make sure to distribute the gravel evenly to ensure the posts will be the same height.



ALEXANDRIA CUT SCALLOP SPACED PICKET FENCE PANEL INSTALLATION INSTRUCTIONS

Digging Postholes (continued from previous page)

Starting from the corner, mix concrete in the first hole and install post to the proper depth. We recommend leaving a 2" gap between the ground and bottom of the panel (fig. 3). Use a level to ensure the fence post is plumb and square with the ground. Brace the post with temporary supports as the concrete sets.



Assembling the panel

STEP 1 – Install first post with concrete (See “Digging postholes” section and figs. 1 & 2).

STEP 2 – Slide the reinforced bottom rail into place at the bottom of the routed post (fig. 4).

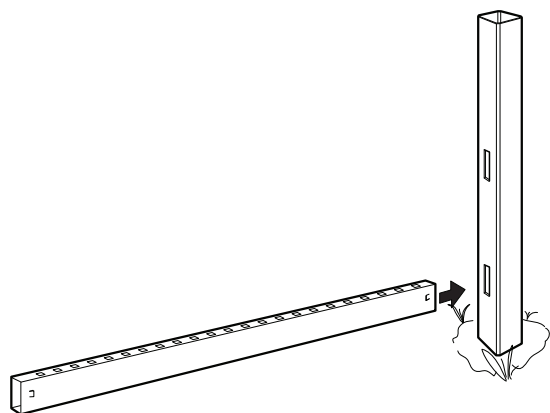


fig. 4

STEP 3 – Install the second post into the ground and temporarily secure into place. Set the bottom rail into the second post and level (fig. 5). (You will secure the second post with concrete in Step 5).

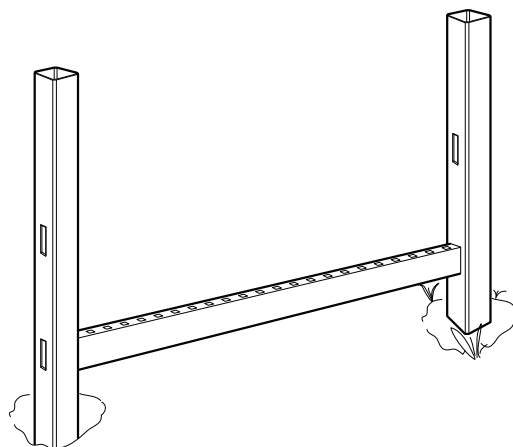


fig. 5

ALEXANDRIA CUT SCALLOP SPACED PICKET FENCE PANEL INSTALLATION INSTRUCTIONS

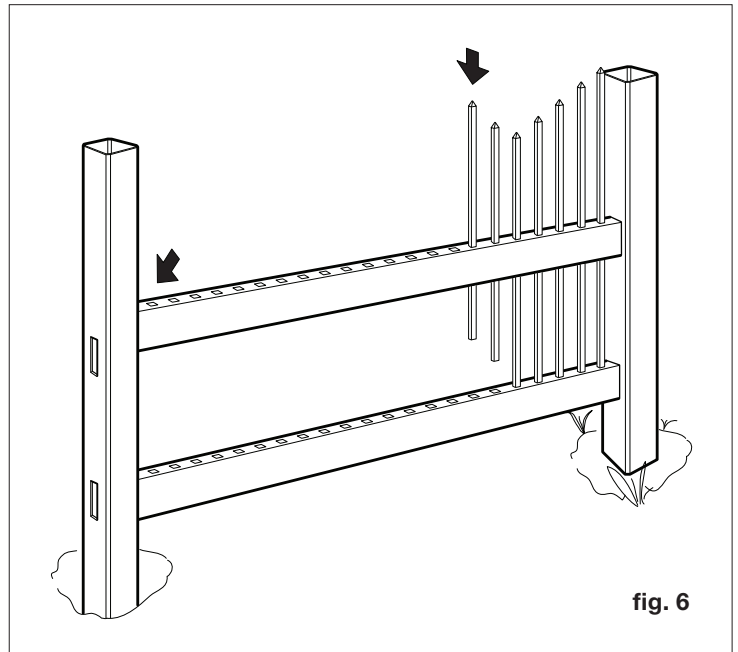
Assembling the panel (continued from previous page)

STEP 4

Place one end of the top rail into first post, allowing one end to be free. Slide the pickets through the routed holes in the top rail into the bottom rail. Be sure each picket is properly seated into each hole in the bottom rail. When all pickets are in place, lock top rail into the second post (fig 6).

STEP 5

Backfill the second post with concrete and make sure it's set before moving down the fence line. This will always allow one post to be anchored while each panel section is assembled. To continue building your fence line, repeat Steps 1-5.



Cutting down a panel

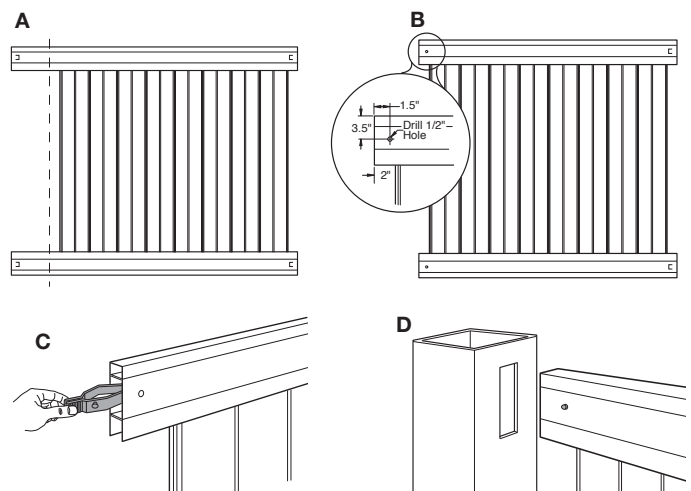
Panels can be made narrower by cutting down the rails and using rail clips (sold separately) to attach the shortened rails to the posts.

Step A - Remove the proper number of pickets from the rail. Trim rails to desired length, taking into account the extra two inches required to be inserted into the postholes.

Step B - Drill $\frac{1}{2}$ -inch hole in rail as shown.

Step C - Pinch rail clip together and insert into hole.

Step D - Insert rail into posthole until rail clip snaps into place.



THE DIAGRAMS AND INSTRUCTIONS IN THIS BROCHURE ARE FOR ILLUSTRATION PURPOSES ONLY AND ARE NOT MEANT TO REPLACE A LICENSED PROFESSIONAL. ANY CONSTRUCTION OR USE OF THE PRODUCT MUST BE IN ACCORDANCE WITH ALL LOCAL ZONING AND/OR BUILDING CODES. THE CONSUMER ASSUMES ALL RISKS AND LIABILITY ASSOCIATED WITH THE CONSTRUCTION OR USE OF THIS PRODUCT. THE CONSUMER OR CONTRACTOR SHOULD TAKE ALL NECESSARY STEPS TO ENSURE THE SAFETY OF EVERYONE INVOLVED IN THE PROJECT, INCLUDING, BUT NOT LIMITED TO, WEARING THE APPROPRIATE SAFETY EQUIPMENT. EXCEPT AS CONTAINED IN THE WRITTEN LIMITED WARRANTY, THE WARRANTOR DOES NOT PROVIDE ANY OTHER WARRANTY, EITHER EXPRESS OR IMPLIED, AND SHALL NOT BE LIABLE FOR ANY DAMAGES, INCLUDING CONSEQUENTIAL DAMAGES.

©2023 UFP Retail Solutions, LLC. All rights reserved. Outdoor Essentials is a registered trademark of UFP Industries, Inc.
2801 East Beltline NE, Grand Rapids, MI 49525 | (844) 529-5882

OutdoorEssentialProducts.com

14620_4/23